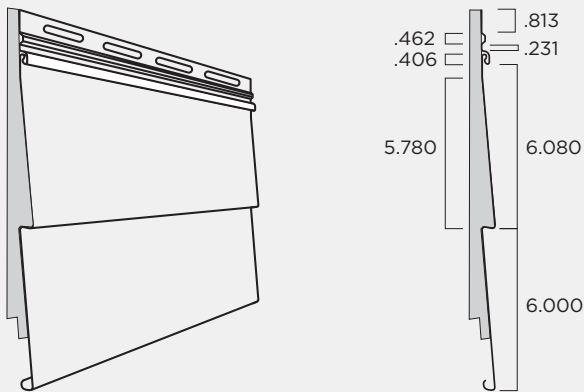


**Build BOLD**  
Create a look that's all your own.



## FEATURES & SPECS:

Our newest product line offers a luxury modern Double 6" panel in a .046" thick panel in a selection of our most popular colours as well as two new rustic colours featuring our No Fade Promise.\*



### Features:

- Modern, double 6" panel (12" wide)
- Increased rigidity (.046" thickness)
- Available in two **new** rustic colours featuring our No Fade Promise\*
- Limited Lifetime Warranty

### Specs:

- Length/Pc: 12'6" (3.81m)
- Width/Pc: 12" (30.48cm)
- Panels/Ctn: 8
- Coverage/Ctn: 100 sq. ft. (9.29 m<sup>2</sup>)
- Nominal Thickness: .046"

The West Ridge Double 6" panel captures the appearance of real wood siding with a wide modern exposure. With a premium .046" thickness and a contoured locking system, this double course panel offers a stunning 12" profile that will serve as a statement piece in any exterior design project.

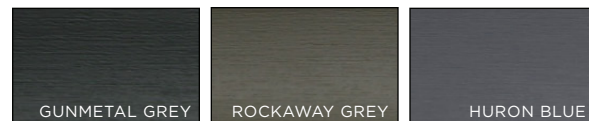
The ridged foam backing provides added strength to the panel while still being lightweight and very easy to install. Featuring four distinctive woodgrain finishes, four on trend solid colours, a well-defined woodgrain and backed by a limited lifetime warranty, you can confidently choose Mitten D6 panel to create luxury curb appeal.

## COLOURS OPTIONS:

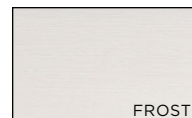
### RUSTIC COLOURS:



### BOLD COLOURS:



### STANDARD COLOURS:



### ACCESSORIES AVAILABLE:

\*Accessories available in select colours

- **NEW!** APEX OUTSIDE CORNER POST
- INSIDE CORNER POST
- J-CHANNEL
- FINISH TRIM
- H-TRIM
- DRIP CAP

\*Product will not fade in excess of a Delta E of 1 Hunter unit outside the manufacturing tolerances in the first 5 years and a Delta E of 2 Hunter units outside the manufacturing tolerances after the first 5 years from the date of the original installation of the product on the property.

Due to the printing process, colours may not be exactly as shown. Please refer to actual siding samples before making final decisions. Inquire with your distributor to confirm colours and products.

**MITTEN**<sup>®</sup>  
BUILDING PRODUCTS

**OREGON PRIDE**<sup>®</sup>  
40 SERIES VINYL SIDING



**MITTEN**<sup>®</sup>  
BUILDING PRODUCTS



Our traditional product line, offering a wide selection of profiles in classic .040" thick panels. Profiles feature a subtle wood-grain appearance.



Subtle painted cedar texture shown in Brownstone

## Performance Features:

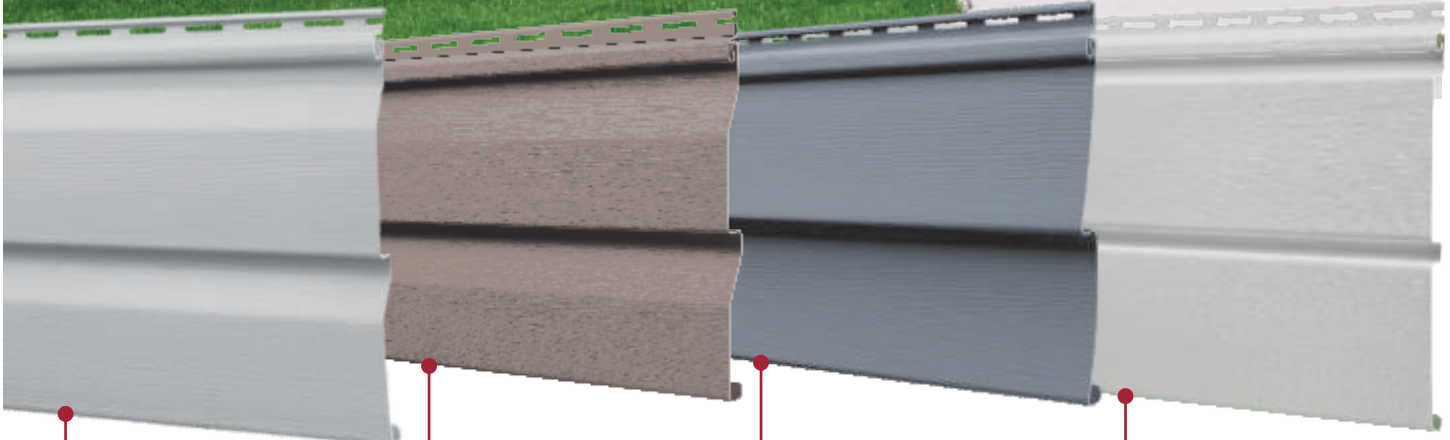
-  COLOUR MATCHED ACCESSORIES
-  CLASSIC .040" THICKNESS
-  HURRICANE FORCE WIND SPEED RATED
-  CONTOURED LOCK SYSTEM
-  ROLL-OVER NAIL HEM
-  LOW GLOSS COLOUR-RICH FINISH
-  LIFETIME COLOUR FADE PROTECTION
-  LIMITED LIFETIME WARRANTY

## Natural Standard Colours:

D4H D4DL D4.5DL D5V Frost	D4H D4DL D4.5DL D5V Bone	D4H D4.5DL Satin Grey	D4H D4DL D4.5DL Flagstone	D4H D4DL D4.5DL Nickel	D4H D4DL D4.5DL D5V Stratus	D4H D4DL D4.5DL D5V Brownstone
D4H D4DL D4.5DL D5V Hearthstone	D4H D4.5DL Sandcastle	D4H D4.5DL Ash	D4H D4.5DL Saffron	D4H D4DL D4.5DL Cypress	D4H D4.5DL Sage	D4H D4.5DL Indigo

**D4H** = Double 4" Horizontal  
**D4DL** = Double 4" Dutchlap  
**D4.5DL** = Double 4.5" Dutchlap  
**D5V** = Double 5" Vertical

Due to the printing process colours may not be exactly as shown. Please refer to actual samples before making final decisions. Inquire with your distributor to confirm colours and products.



**Double 4.5"  
Dutchlap**

Shown in Flagstone

**Length/Pc:**  
12'1" 3.68m  
**Width/Pc:**  
9" 22.86cm  
**Panels/Ctn:**  
22  
**Coverage/Ctn:**  
200 sq. ft. 18.58 m<sup>2</sup>  
**Nom. Thickness:**  
.040" 1.02 mm  
**Windload Data:**  
140 mph 225 KM/h

**Double 4"  
Dutchlap**

Shown in Brownstone

**Length/Pc:**  
12'6" 3.81m  
**Width/Pc:**  
8" 20.32cm  
**Panels/Ctn:**  
24  
**Coverage/Ctn:**  
200 sq. ft. 18.58 m<sup>2</sup>  
**Nom. Thickness:**  
.040" 1.02 mm  
**Windload Data:**  
140 mph 225 KM/h

**Double 4"  
Horizontal**

Shown in Indigo

**Length/Pc:**  
12'6" 3.81m  
**Width/Pc:**  
8" 20.32cm  
**Panels/Ctn:**  
24  
**Coverage/Ctn:**  
200 sq. ft. 18.58 m<sup>2</sup>  
**Nom. Thickness:**  
.040" 1.02 mm  
**Windload Data:**  
140 mph 225 KM/h

**Double 5"  
Vertical**

Shown in Frost

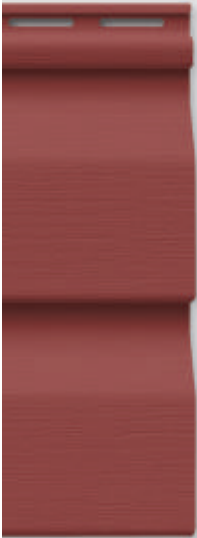
**Length/Pc:**  
12' 3.66m  
**Width/Pc:**  
10" 25.4cm  
**Panels/Ctn:**  
20  
**Coverage/Ctn:**  
200 sq. ft. 18.58 m<sup>2</sup>  
**Nom. Thickness:**  
.040" 1.02 mm  
**Windload Data:**  
NA

# 5

## Reasons Vinyl Siding Remains the Top Home Exterior Design Choice

**Did you know?** Vinyl siding is the primary cladding material on nearly one third of all new homes built.<sup>1</sup>

### 1 Boosts Curb Appeal



**THE COLOURS** of Mitten Siding & Accessories are certified through the Vinyl Siding Institute (VSI) Product Certification Program for colour retention.

Its unmatched selection of profiles, shapes, textures and colours makes vinyl siding ideal for any home renovation.

Those who re-sided their homes with vinyl siding recouped more than 74% of that cost when selling.<sup>2</sup>

### 2 Weather Resistant

**MITTEN SIDING & ACCESSORIES** is weather resistant, fade resistant and insect resistant.<sup>3</sup>



NEVER ABSORBS WATER



FADE RESISTANT



INSECT RESISTANT



### 3 Never Requires Painting

**MITTEN SIDING & ACCESSORIES** are third-party tested and certified for quality and colour retention. The colour is inside the product, not on top of the surface. It does not crack, peel or fade.

Vinyl siding requires no painting or caulking, just simple cleaning with a garden hose.



### 4 High Performance



VIRTUALLY INDESTRUCTIBLE



RESISTS WIND SPEEDS UP TO 195 MPH/313KPH.

### 5 Peace of Mind



**MITTEN SIDING & ACCESSORIES** are backed by industry-leading warranties that last the lifetime of a home and transfer to the next owner.



LIMITED LIFETIME WARRANTY

**MITTEN**  
BUILDING PRODUCTS

1. Canadian Consumer Practices Report - 2017, Home Innovations Research Center.
2. 2020 Cost vs. Value Report, Remodeling Magazine.
3. Vinyl siding is not a weather resistive barrier and must be installed according to installation instructions.



Take the guesswork out of your exterior makeover, try different products and colour combinations. You can use one of our stock photos, or upload and customize a photo of your own home.

Visit the **Mitten Visualizer** section of [www.mittensiding.com](http://www.mittensiding.com)

Authorized Dealer/Distributor



**MITTEN**  
BUILDING PRODUCTS

5A - 225 HENRY STREET • BRANTFORD, ONTARIO N3S 7R4  
800.265.0774 (T) • 866.257.2168 (F) • [MITTENSIDING.COM](http://MITTENSIDING.COM)

