

Concrete Roof Tile *The California* Collection



Capistrano
SMC 8401 San Miguel Blend

USA Owned. USA Made.



Ponderosa Staggered
5503 Sierra Madre

SIMPLE. *elegant*. SOLUTIONS.

from a company you can trust



Eagle is Curb Appeal and Infinite Choices

- Choose from an extensive collection of profiles, textures and dimensions
- Vast color offering in standard integral, ranges and multi-color blends
- Flat tiles offer a crisp, clean appearance for Modern, Colonial, Craftsman, French Provincial and Tudor architecture
- High profile Barrel tiles are beautiful and timeless, ideal for Mediterranean architecture
- Medium profile tiles complement Modern architectural designs, in addition to large commercial or residential buildings
- Concrete tile is the ideal alternative to slate, wood, stone coated metal, and asphalt roofing materials
- Tile roofs enhance curb appeal and maintain the value of the structure over time

Eagle is Peace of Mind

- USA Owned. USA Made.
- Best warranty in the industry
- Our tile is tested to the highest standards in the industry for fire, high-wind, Hail* and freeze-thaw protection
- Our customer service, sales and technical departments are here for you before, during and after the sale
- Our products are affordable and environmentally friendly

*Stockton produced tiles only.

Golden Eagle Staggered
1699 Charcoal Range





Flat Profiles

Limitless options without compromise, Eagle's Flat Tile profiles offer graceful beauty, rugged strength and enhanced curb appeal. Available in a vast array of colors from warm earth tones and cool grays to refreshing natural hues ranging from green to eggplant—its crisp appearance complements both traditional and modern architecture. Depending on the look you are after, our Flat Tiles can emulate the texture and style of natural materials such as wood shake, clay and slate – and are a more affordable alternative. See for yourself.

Concrete roof tile never looked so good.



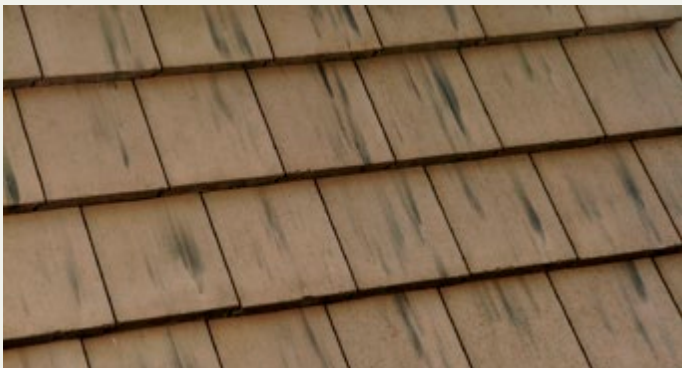
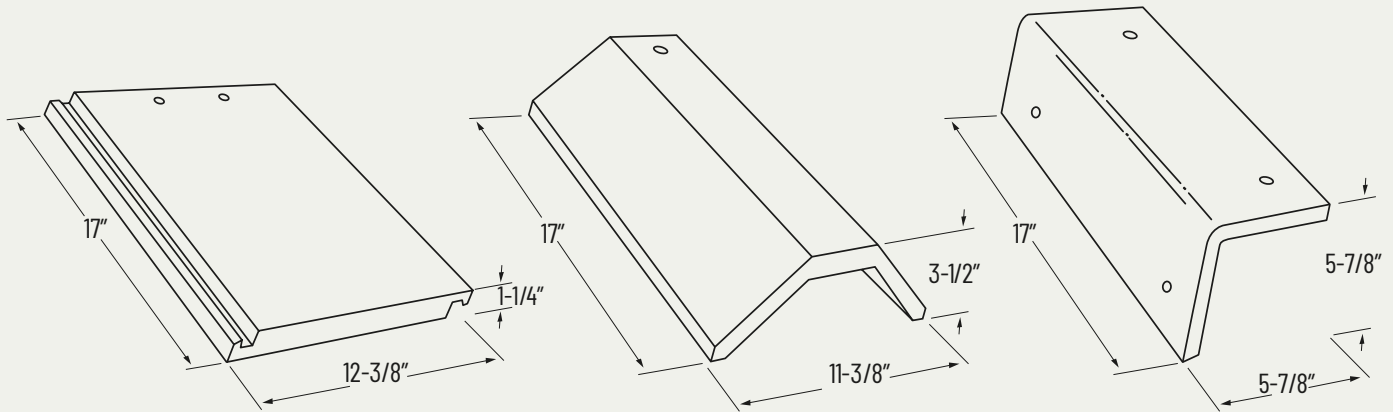
Bel Air
4602 Concord Blend

Bel Air

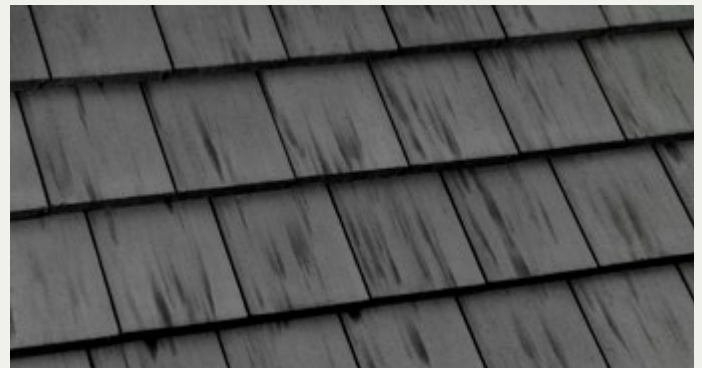
PER 100
SQ FT

88.5 Tiles (3" headlap)
970 Pounds (approx.)

Sometimes, the beauty is in the simplicity of the design. The Bel Air profile is a flat, smooth tile that offers clean lines and versatility to use on a variety of different architectural styles. Plus, it allows you to go heavier on other exterior elements such as pavers, stonework and landscaping, all of which will dramatically complement your Bel Air concrete tile roof. The choices are endless!



4502 Arcadia Canyon Brown - Hues of Dark Brown, Black Streaks
T24 Ref.13 A.Ref.17 Emi.94 A.Emi.92 SRI12 A.SRI16 CRRC 0918-0043



4503 Sierra Madre - Hues of Charcoal, Black Streaks
T24 Ref.11 A.Ref.12 Emi.92 A.Emi.92 SRI9 A.SRI10 CRRC 0918-0111



4511 Flintridge Gray - Hues of Natural Gray, Black Streaks
T24 Ref.21 A.Ref.21 Emi.93 A.Emi.90 SRI22 A.SRI20 CRRC 0918-0003



4520 Weathered Terracotta Flashed - Hues of Light Terracotta, Black, Red Streaks
T24 Ref.19 A.Ref.20 Emi.93 A.Emi.92 SRI19 A.SRI20 CRRC 0918-0038



Bel Air



4530 Weathered Adobe - *Hues of Tan, Rust Streaks*

T24 Ref.23 A.Ref.26 Emi.92 A.Emi.90 SRI 24 A.SRI 27 CRRC 0918-0017



4549 Santa Paula - *Hues of Tan, Cream, Brown Streaks*

T24 Ref.21 A.Ref.21 Emi.92 A.Emi.92 SRI 21 A.SRI 21 CRRC 0918-0049



4560 Caliente - *Hues of Red, Yellow Streaks*

T24 Ref.28 A.Ref.27 Emi.88 A.Emi.90 SRI 28 A.SRI 28 CRRC 0918-0011



4576 Topanga - *Hues of Brown, Black, Peach Streaks*

T24 Ref.21 A.Ref.21 Emi.92 A.Emi.92 SRI 21 A.SRI 21 CRRC 0918-0027

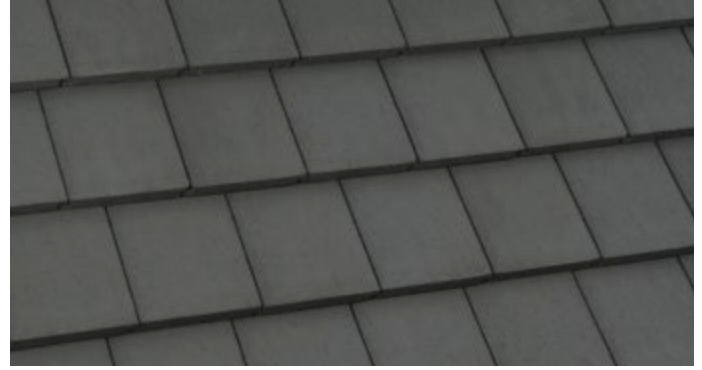


Bel Air
SCB 8402 Santa Cruz Blend



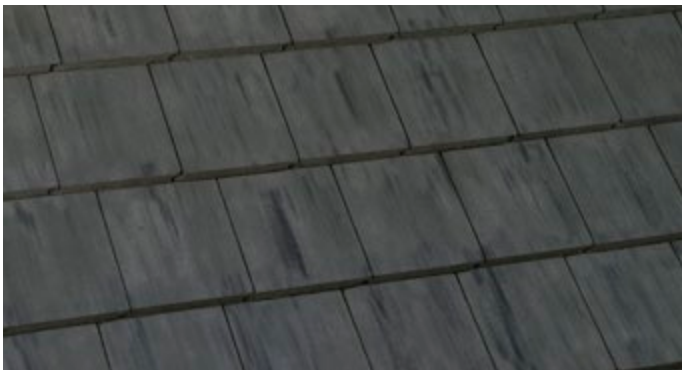
4588 Garnet Brown Range - Range of Dark Brown

T24 Ref.12 A.Ref.13 Emi.91 A.Emi.93 SRI 9 A.SRI 12 CRRC 0918-0108



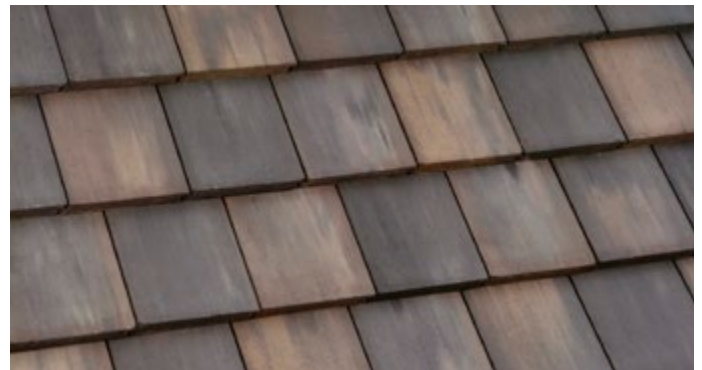
4591 Dark Gray Range - Range of Dark Gray

T24 Ref.12 A.Ref.13 Emi.91 A.Emi.93 SRI 9 A.SRI 12 CRRC 0918-0108



4595 Dark Charcoal - Hues of Dark Charcoal, Black Streaks

T24 Ref.12 A.Ref.13 Emi.91 A.Emi.93 SRI 9 A.SRI 12 CRRC 0918-0108



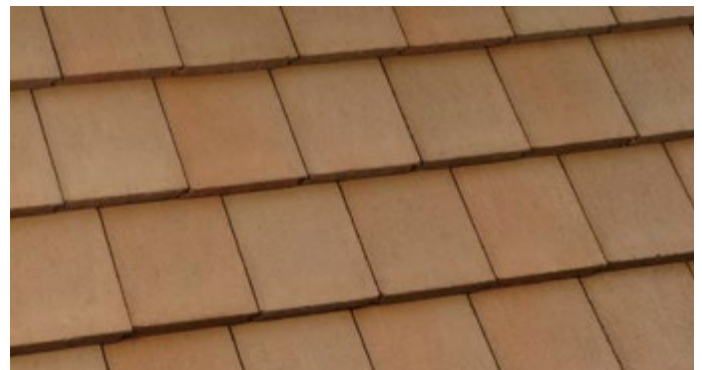
4602 Concord Blend - Blend of Charcoal, Tan

T24 Ref.15 A.Ref.16 Emi.92 A.Emi.93 SRI 14 A.SRI 15 CRRC 0918-0107



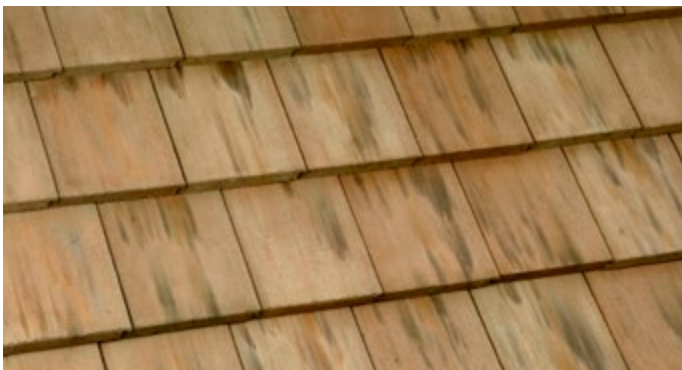
4606 Vallejo Range - Range of Dark Purple

T24 Ref.15 A.Ref.18 Emi.92 A.Emi.91 SRI 14 A.SRI 17 CRRC 0918-0048



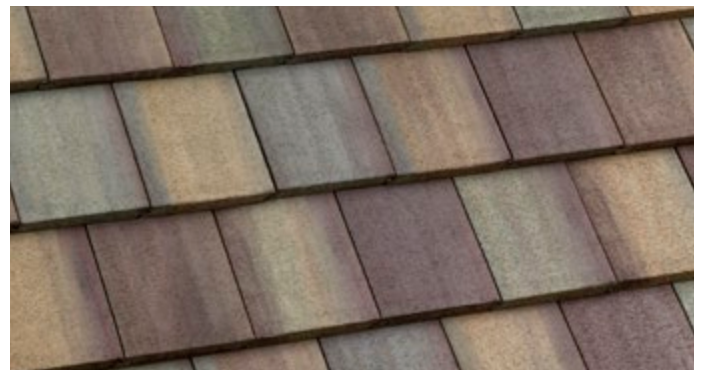
4615 Weathered Terracotta Range - Range of Terracotta

T24 Ref.23 A.Ref.25 Emi.87 A.Emi.88 SRI 21 A.SRI 24 CRRC 0918-0015



4621 Tehachapi Blend - Blend of Tan, Orange, Dark Brown

T24 Ref.18 A.Ref.19 Emi.89 A.Emi.92 SRI 16 A.SRI 19 CRRC 0918-0052



4626 Rancho Cordova Blend - Blend of Green, Gold, Purple

T24 Ref.24 A.Ref.23 Emi.91 A.Emi.91 SRI 25 A.SRI 23 CRRC 0918-0040



Bel Air



4634 Kings Canyon Blend - Blend of Dark Green, Tan, Red and Black Streaks
T24 Ref.13 A.Ref.17 Emi.94 A.Emi.92 SRI12 A.SRI16 CRRC 0918-0044



4636 Piedmont Blend - Blend of Terracotta, Maroon, Brown
T24 Ref.18 A.Ref.19 Emi.90 A.Emi.94 SRI16 A.SRI20 CRRC 0918-0066



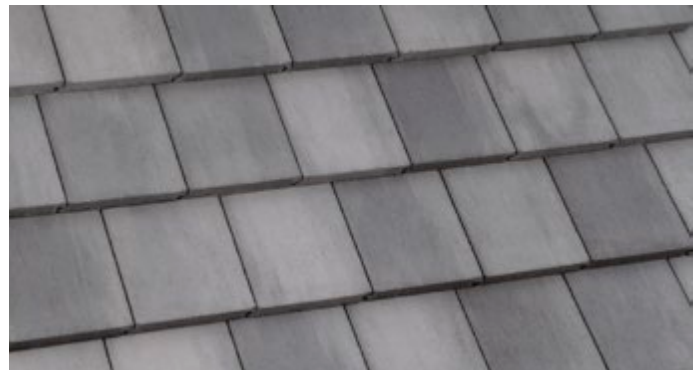
4645 Sunrise Blend - Blend of Terracotta, Brown
T24 Ref.18 A.Ref.21 Emi.93 A.Emi.93 SRI18 A.SRI22 CRRC 0918-0030



4646 Sunset Blend - Blend of Medium Terracotta, Brown
T24 Ref.16 A.Ref.18 Emi.94 A.Emi.91 SRI16 A.SRI17 CRRC 0918-0042



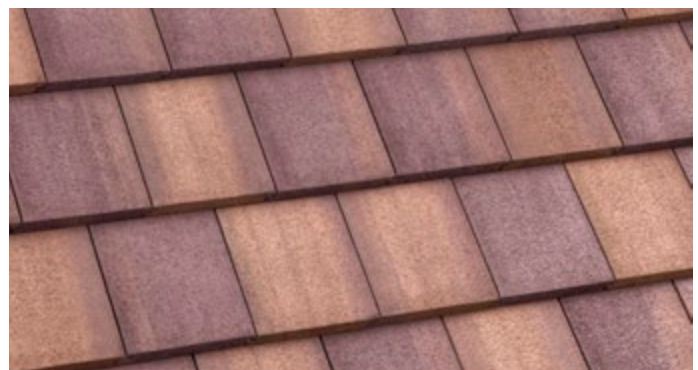
4671 Village Blend - Blend of Peachy Tan, Taupe, Brown, Dark Brown
T24 Ref.17 A.Ref.18 Emi.93 A.Emi.92 SRI17 A.SRI17 CRRC 0918-0039



4679 Light Gray Range - Range of Light Gray
T24 Ref.21 A.Ref.21 Emi.93 A.Emi.91 SRI22 A.SRI21 CRRC 0918-0004



4680 Los Padres Blend - Blend of Terracotta, Tan, Gray
T24 Ref.24 A.Ref.24 Emi.91 A.Emi.91 SRI25 A.SRI25 CRRC 0918-0013



4684 San Rafael Blend - Blend of Purple, Tan
T24 Ref.16 A.Ref.18 Emi.91 A.Emi.94 SRI14 A.SRI18 CRRC 0918-0068





4687 Brown Gray Range - Range of Brown, Gray
T24 Ref.15 A.Ref.16 Emi.91 A.Emi.92 SRI13 A.SRI15 CRRCC 0918-0028



4689 Brown Range - Range of Brown
T24 Ref.15 A.Ref.17 Emi.92 A.Emi.93 SRI14 A.SRI17 CRRCC 0918-0026



4690 Pewter Bronze Blend - Blend of Pewter Gray, Gold
T24 Ref.17 A.Ref.17 Emi.90 A.Emi.92 SRI15 A.SRI16 CRRCC 0918-0060



4697 Slate Range - Range of Charcoal
T24 Ref.15 A.Ref.17 Emi.94 A.Emi.92 SRI15 A.SRI16 CRRCC 0918-0046



Bel Air
4697 Slate Range

Bel Air



4698 Kona Red Range - Range of Red

T24 Ref.25 A.Ref.27 Emi.83 A.Emi.90 SRI 22 A.SRI 28 CRRC 0918-0018



4702 Calabar Blend - Hues of Medium Brown, Rust Blend, Yellow Streaks

T24 Ref.18 A.Ref.20 Emi.88 A.Emi.92 SRI 15 A.SRI 20 CRRC 0918-0063



4743 Cocoa Range - Range of Dark Brown

T24 Ref.12 A.Ref.14 Emi.91 A.Emi.93 SRI 9 A.SRI 13 CRRC 0918-0106



4773 Walnut Creek Blend - Blend of Tan, Orange, Dark Brown

T24 Ref.20 A.Ref.23 Emi.94 A.Emi.91 SRI 21 A.SRI 23 CRRC 0918-0037



4794 Coronado - Hues of Tan, Charcoal, Cream Streaks

T24 Ref.27 A.Ref.29 Emi.94 A.Emi.88 SRI 30 A.SRI 30 CRRC 0918-0016



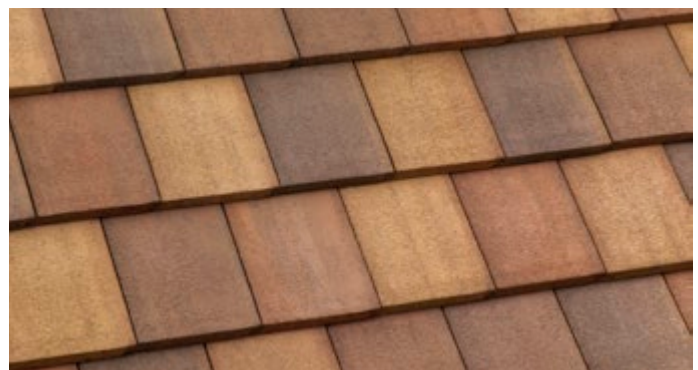
4804 Rocklin Blend - Blend of Brown, Light Brown, Mocha

T24 Ref.18 A.Ref.21 Emi.94 A.Emi.94 SRI 18 A.SRI 22 CRRC 0918-0101



4805 Evergreen - Hues of Moss Green, Brown and Black Streaks

T24 Ref.27 A.Ref.25 Emi.93 A.Emi.93 SRI 29 A.SRI 27 CRRC 0918-0096



4814 San Pablo Blend - Blend of Golden Tan, Terracotta, Medium Brown, w/Streaks

T24 Ref.23 A.Ref.24 Emi.93 A.Emi.95 SRI 24 A.SRI 26 CRRC 0918-0092





4815 Red Bluff Blend - Blend of Maroon, Mocha, Terracotta, w/Streaks
T24 Ref.22 A.Ref.22 Emi.93 A.Emi.94 SRI 23 A.SRI 23 CRRC 0918-0089



4817 La Salle Blend - Blend of Bright Orange, Brown and Tan
T24 Ref.25 A.Ref.25 Emi.91 A.Emi.93 SRI 26 A.SRI 27 CRRC 0918-0104



4880 Shasta Blend - Blend of Brown, Natural Gray, Tan, w/Streaks
T24 Ref.20 A.Ref.22 Emi.94 A.Emi.94 SRI 21 A.SRI 23 CRRC 0918-0088



4881 Del Norte Blend - Blend of Maroon, Terracotta, Tan, Brown
T24 Ref.19 A.Ref.20 Emi.94 A.Emi.94 SRI 20 A.SRI 21 CRRC 0918-0102



4882 Manteca Blend - Blend of Maroon, Brown, Mocha
T24 Ref.18 A.Ref.20 Emi.94 A.Emi.94 SRI 18 A.SRI 21 CRRC 0918-0099



4883 Hillsborough Blend - Blend of Brown, Natural Gray, Light Brown, w/streaks
T24 Ref.17 A.Ref.19 Emi.94 A.Emi.94 SRI 17 A.SRI 20 CRRC 0918-0098



4884 Alameda Range - Range of Brown, Natural Gray
T24 Ref.16 A.Ref.18 Emi.94 A.Emi.94 SRI 16 A.SRI 18 CRRC 0918-0095



47646 Desert Clay Blend - Blend of Medium Terracotta, Light Brown
T24 Ref.16 A.Ref.18 Emi.94 A.Emi.91 SRI 16 A.SRI 17 CRRC 0918-0042





Bel Air
4773 Walnut Creek Blend



48709 Davenport Blend - Blend of Maroon, Light Terracotta
T24 Ref.17 A.Ref.18 Emi.88 A.Emi.91 SRI14 A.SRI 17 CRRC 0918-0076



SCB 8402 Santa Cruz Blend - Blend of Tan, Reddish Brown, Brown
T24 Ref.14 A.Ref.17 Emi.89 A.Emi.92 SRI11 A.SRI 16 CRRC 0918-0058



SCB 8708 Del Oro Blend - Blend of Terracotta, Gold, Tan, Brown
T24 Ref.14 A.Ref.17 Emi.90 A.Emi.92 SRI11 A.SRI 16 CRRC 0918-0075



SCB 8709 El Morado Blend - Blend of Terracotta, Burgundy
T24 Ref.17 A.Ref.18 Emi.88 A.Emi.91 SRI14 A.SRI 17 CRRC 0918-0076





SCB 8802 Nantucket Blend - Blend of Gray, Tan, Brown
T24 Ref.14 A.Ref.16 Emi.88 A.Emi.92 SRI10 A.SRI15 CRRC 0918-0065



SCB 8805 Seattle Blend - Blend of Green, Taupe, Gray
T24 Ref.15 A.Ref.16 Emi.94 A.Emi.92 SRI15 A.SRI15 CRRC 0918-0036



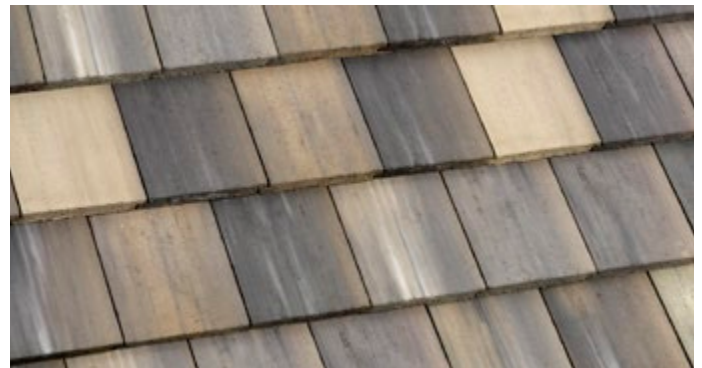
SCB 8806 Tucson Blend - Blend of Tan, Terracotta, Mauve
T24 Ref.20 A.Ref.19 Emi.88 A.Emi.92 SRI18 A.SRI19 CRRC 0918-0085



SCB 8825 Corona Del Mar Blend - Blend of Dark Brown, Tan, Maroon, Brown Streaks
T24 Ref.14 A.Ref.17 Emi.90 A.Emi.92 SRI11 A.SRI16 CRRC 0918-0074



SCB 8826 Augusta Blend - Blend of Grayish Brown, Tan, Maroon
T24 Ref.19 A.Ref.18 Emi.91 A.Emi.94 SRI18 A.SRI18 CRRC 0918-0105



SCB 8827 Tacoma Blend - Blend of Brown, Gray, Taupe
T24 Ref.15 A.Ref.18 Emi.92 A.Emi.91 SRI14 A.SRI17 CRRC 0918-0047



SMB 8816 San Gabriel Blend - Blend of Golden Yellow, Maroon
T24 Ref.15 A.Ref.18 Emi.93 A.Emi.91 SRI14 A.SRI17 CRRC 0918-0034



SMB 8820 Santa Clara Blend - Blend of Red, Orange, Beige
T24 Ref.21 A.Ref.23 Emi.83 A.Emi.91 SRI17 A.SRI23 CRRC 0918-0021



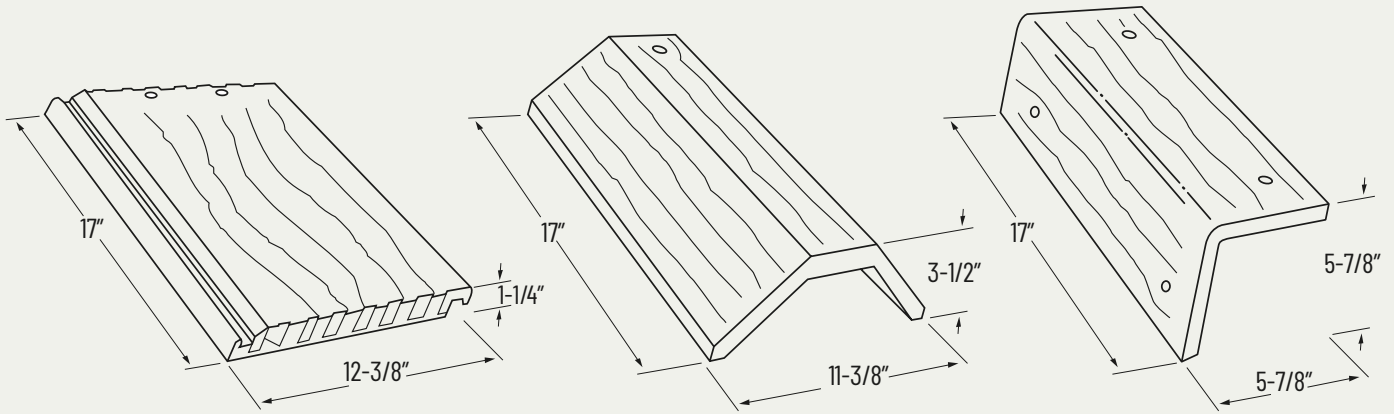


Estate, Staggered
SHE 8704 Lehigh Blend

Estate

PER 100 SQ FT | **88.5** Tiles (3" headlap)
970 Pounds (approx.)

If you like the simplicity of the Bel Air profile but are looking to add a little more dimension to your roof, then the Estate profile is the ideal choice. Fine coarse lines and a more defined edge provides texture and nuanced beauty to your outdoor space, perfectly complementing any architectural style – both residential and commercial.



SHE 8704 Lehigh Blend - Blend of Natural Gray, Light Gray, Charcoal
T24 Ref.15 A.Ref.17 Emi.94 A.Emi.92 SRI 15 A.SRI 16 CRRC 0918-0046



SHE 8715 Roanoke Blend - Blend of Light Gray, Dark Gray, Gold, Taupe
T24 Ref.17 A.Ref.19 Emi.89 A.Emi.93 SRI 15 A.SRI 19 CRRC 0918-0081



SHE 8773 Walnut Creek Blend - Blend of Tan, Orange, Dark Brown
T24 Ref.20 A.Ref.23 Emi.94 A.Emi.91 SRI 21 A.SRI 23 CRRC 0918-0037



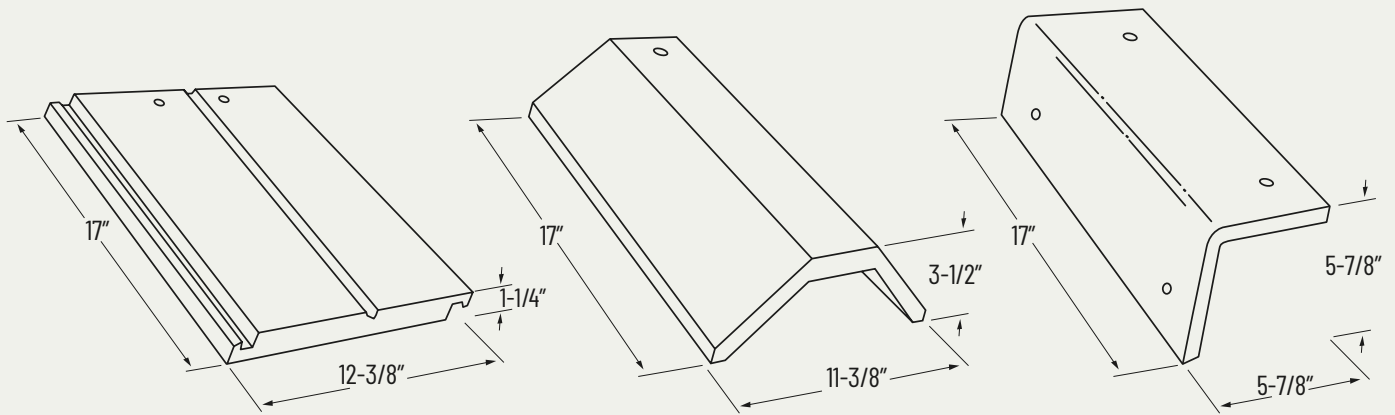


Double Eagle Bel Air
4097 Slate Range

Double Eagle Bel Air

PER 100 SQ FT | **88.5** Tiles (3" headlap)
970 Pounds (approx.)

The Double Eagle Bel Air profile has a smooth surface coupled with a split tile appearance that adds the right amount of subtle differentiation and dimension to a classic look. The best part? It's perfect for any residential or commercial project.



4087 Brown Gray Range - Range of Brown, Gray
T24 Ref.15 A.Ref.16 Emi.91 A.Emi.92 SRI13 A.SRI15 CRRC 0918-0028



4097 Slate Range - Range of Gray
T24 Ref.15 A.Ref.17 Emi.94 A.Emi.92 SRI15 A.SRI16 CRRC 0918-0046



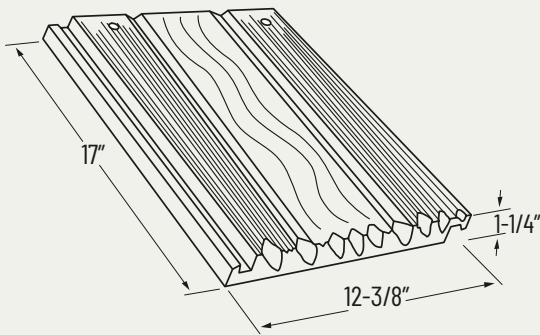


Golden Eagle
1634 Kings Canyon Blend

Golden Eagle

PER 100 SQ FT | **88.5** Tiles (3" headlap)
970 Pounds (approx.)

Emulating an upgraded wood shake look, the Golden Eagle profile combines a smooth, flat surface with a partial broom swept texture that immediately grabs your attention. This type of texture allows you to create an intriguing design that welcomes many different styles from French Provincial to Cozy Cottage and even a Coastal home. This profile is available in rich, neutral shades which will definitely make a home more inviting!



1530 Weathered Adobe - Hues of Tan, Rust Streaks

T24 Ref.23 A.Ref.26 Emi.92 A.Emi.90 SRI 24 A.SRI 27 CRRC 0918-0017



1634 Kings Canyon Blend - Blend of Dark Green, Tan, Red and Black Streaks

T24 Ref.13 A.Ref.17 Emi.94 A.Emi.92 SRI 12 A.SRI 16 CRRC 0918-0044



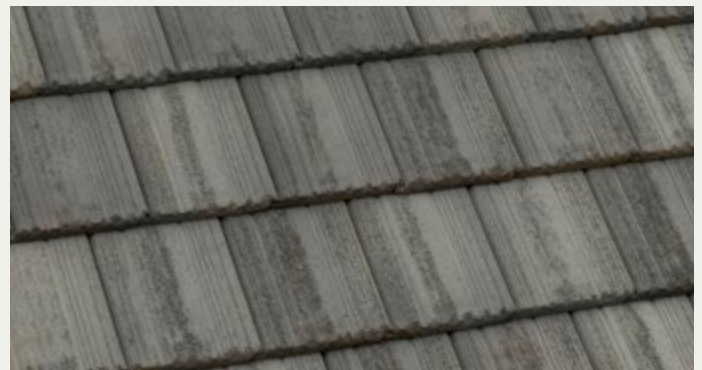
1687 Brown Gray Range - Range of Brown, Gray

T24 Ref.15 A.Ref.16 Emi.91 A.Emi.92 SRI 13 A.SRI 15 CRRC 0918-0028



1690 Pewter Bronze Blend - Blend of Pewter Gray, Gold

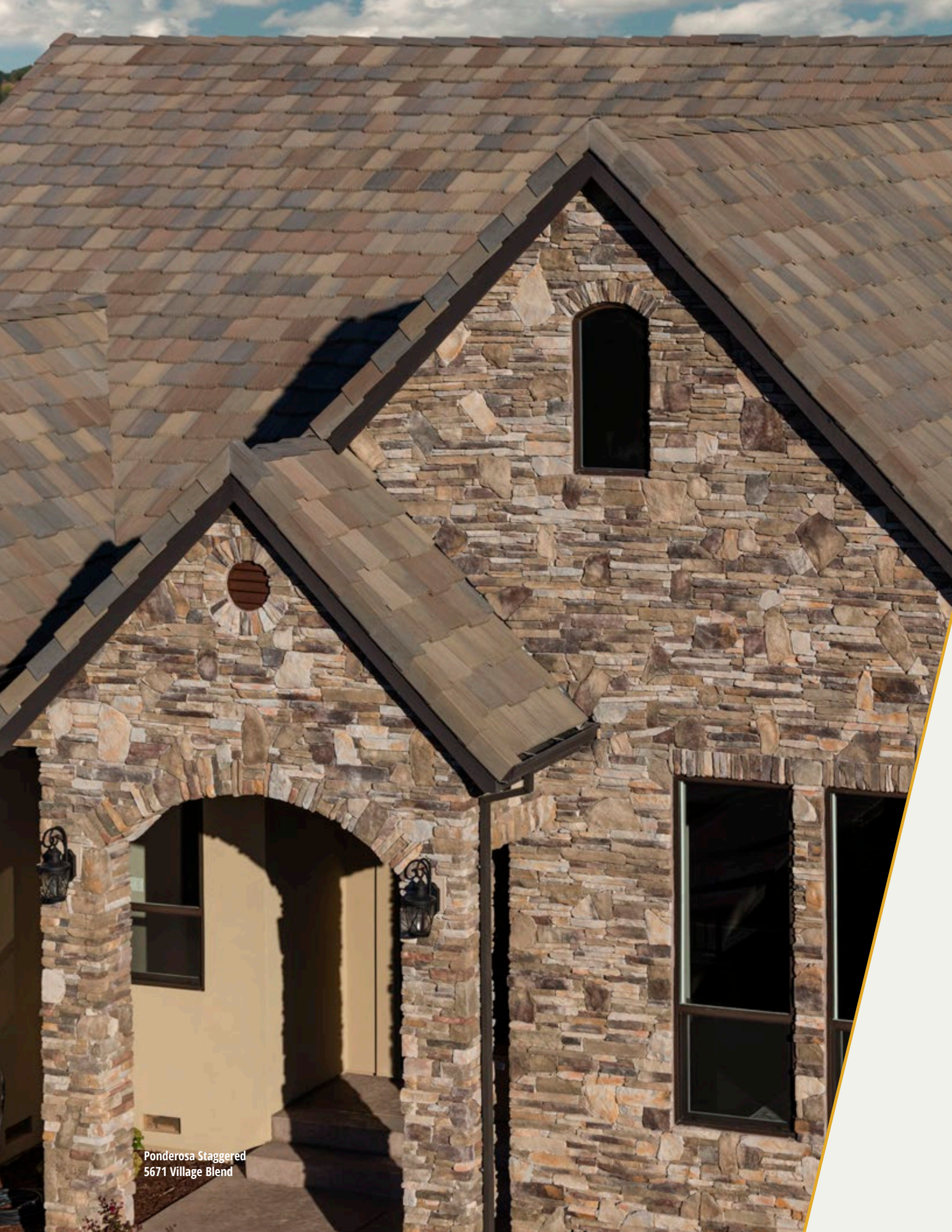
T24 Ref.17 A.Ref.17 Emi.90 A.Emi.92 SRI 15 A.SRI 16 CRRC 0918-0060



1699 Charcoal Range - Range of Gray

T24 Ref.15 A.Ref.17 Emi.94 A.Emi.92 SRI 15 A.SRI 16 CRRC 0918-0046



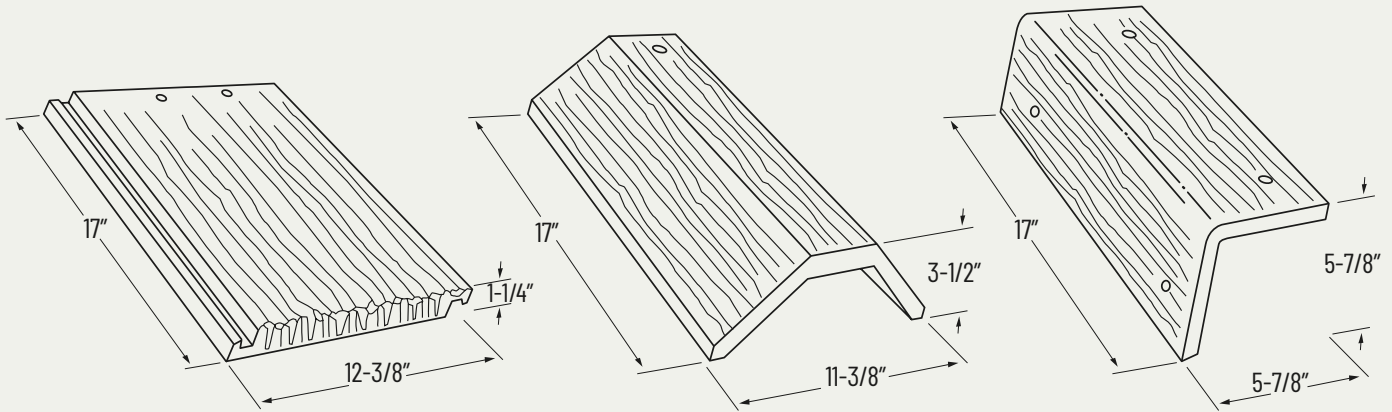


Ponderosa Staggered
5671 Village Blend

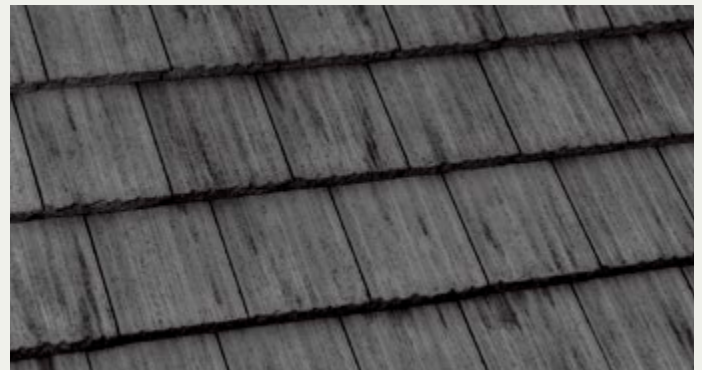
Ponderosa

PER 100 SQ FT | **88.5** Tiles (3" headlap)
970 Pounds (approx.)

A more durable and affordable alternative to natural wood shake, our Ponderosa tile has beautifully textured shadow lines that graze its surface to deliver a truly rustic wood appearance. If you are seeking remarkable curb appeal, a Ponderosa roof will complement many architectural styles including Prairie, Craftsman and Bungalow, to name a few.



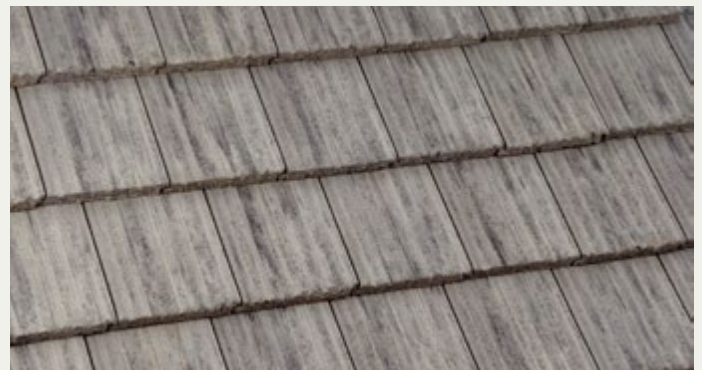
5502 Arcadia Canyon Brown - Hues of Dark Brown, Black Streaks
T24 Ref.13 A.Ref.17 Emi.94 A.Emi.92 SRI12 A.SRI16 CRRC 0918-0043



5503 Sierra Madre - Hues of Charcoal, Black Streaks
T24 Ref.11 A.Ref.12 Emi.92 A.Emi.92 SRI9 A.SRI10 CRRC 0918-0111



5504 New Cedar - Hues of Tan, Brown Streaks
T24 Ref.15 A.Ref.17 Emi.92 A.Emi.92 SRI14 A.SRI16 CRRC 0918-0110



5511 Flintridge Gray - Hues of Natural Gray, Black Streaks
T24 Ref.21 A.Ref.21 Emi.93 A.Emi.90 SRI22 A.SRI20 CRRC 0918-0003



Ponderosa



5522 Terracotta Flashed - *Hues of Terracotta, Black Streaks*
T24 Ref.19 A.Ref.21 Emi.93 A.Emi.91 SRI19 A.SRI 21 CRRC 0918-0033



5530 Weathered Adobe - *Hues of Tan, Rust Streaks*
T24 Ref.23 A.Ref.26 Emi.92 A.Emi.90 SRI 24 A.SRI 27 CRRC 0918-0017



5532 Weathered Terracotta - *Hues of Terracotta, Gold Flashed*
T24 Ref.24 A.Ref.26 Emi.88 A.Emi.88 SRI23 A.SRI 26 CRRC 0918-0014



5549 Santa Paula - *Hues of Tan, Cream, Brown Streaks*
T24 Ref.20 A.Ref.20 Emi.89 A.Emi.89 SRI18 A.SRI 18 CRRC 0918-0049



Ponderosa Staggered
5602 Concord Blend



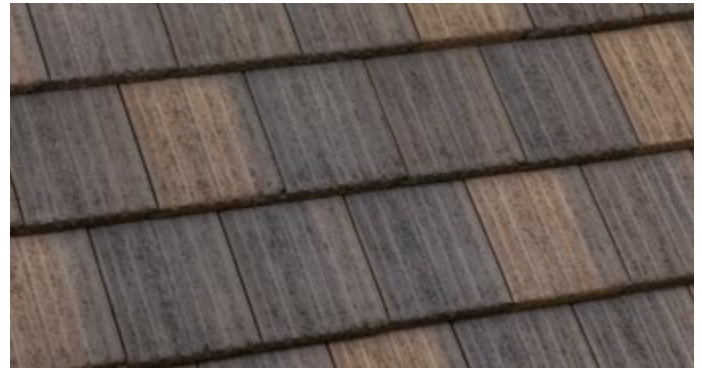
5552 Canyon Gray - Hues of Fawn Gray, Purple, Gray Streaks
T24 Ref.13 A.Ref.15 Emi.90 A.Emi.92 SRI 10 A.SRI 14 CRRC 0918-0073



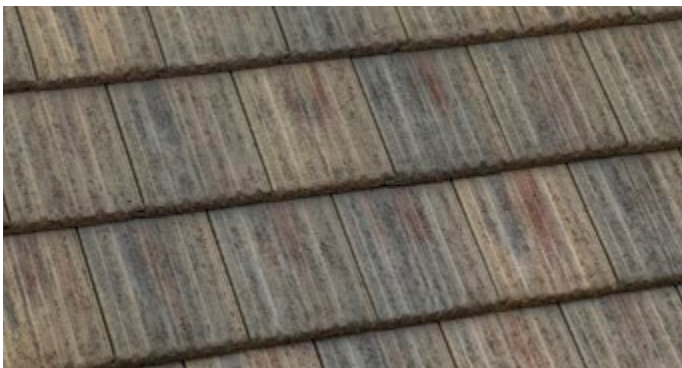
5557 Live Oak - Hues of Rosy Brown, Dark Brown Streaks
T24 Ref.18 A.Ref.18 Emi.90 A.Emi.92 SRI 16 A.SRI 17 CRRC 0918-0061



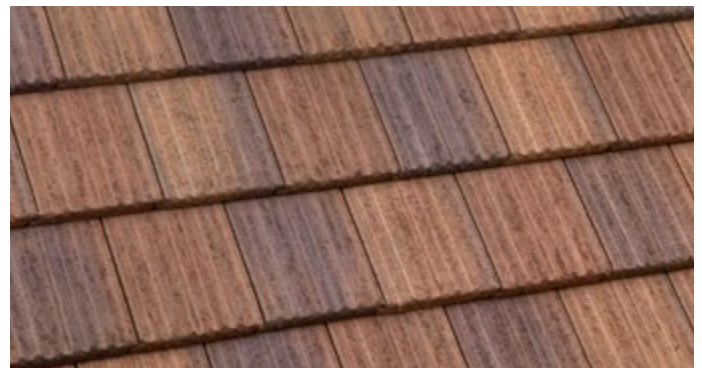
5582 Fawn Gray Flashed - Hues of Gray, Yellow Streaks
T24 Ref.16 A.Ref.17 Emi.93 A.Emi.93 SRI 15 A.SRI 17 CRRC 0918-0113



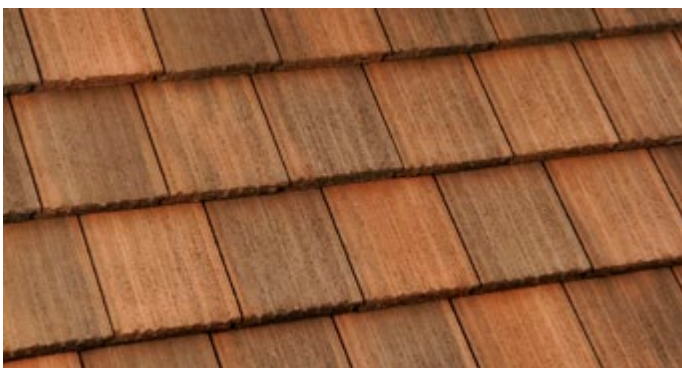
5602 Concord Blend - Blend of Charcoal, Tan
T24 Ref.15 A.Ref.16 Emi.92 A.Emi.93 SRI 14 A.SRI 15 CRRC 0918-0107



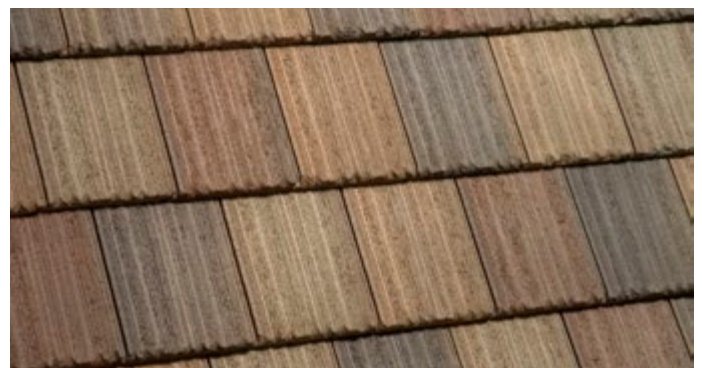
5634 Kings Canyon Blend - Blend of Dark Green, Tan, Red and Black Streaks
T24 Ref.13 A.Ref.17 Emi.94 A.Emi.92 SRI 12 A.SRI 16 CRRC 0918-0044



5636 Piedmont Blend - Blend of Terracotta, Maroon, Brown
T24 Ref.18 A.Ref.19 Emi.90 A.Emi.94 SRI 16 A.SRI 20 CRRC 0918-0066



5645 Sunrise Blend - Blend of Terracotta, Brown
T24 Ref.18 A.Ref.21 Emi.93 A.Emi.93 SRI 18 A.SRI 22 CRRC 0918-0030



5671 Village Blend - Blend of Peachy Tan, Taupe, Brown, Dark Brown
T24 Ref.17 A.Ref.18 Emi.93 A.Emi.92 SRI 17 A.SRI 17 CRRC 0918-0039



Ponderosa



5679 Light Gray Range - Range of Light Gray

T24 Ref.21 A.Ref.21 Emi.93 A.Emi.91 SRI 22 A.SRI 21 CRRC 0918-0004



5687 Brown Gray Range - Range of Brown, Gray

T24 Ref.15 A.Ref.16 Emi.91 A.Emi.92 SRI 13 A.SRI 15 CRRC 0918-0028



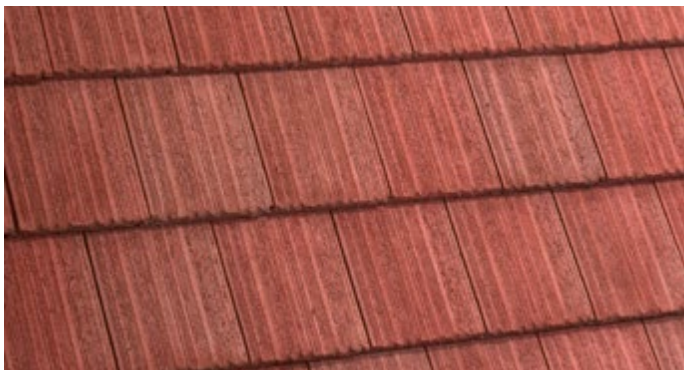
5689 Brown Range - Range of Brown

T24 Ref.15 A.Ref.17 Emi.92 A.Emi.93 SRI 14 A.SRI 17 CRRC 0918-0026



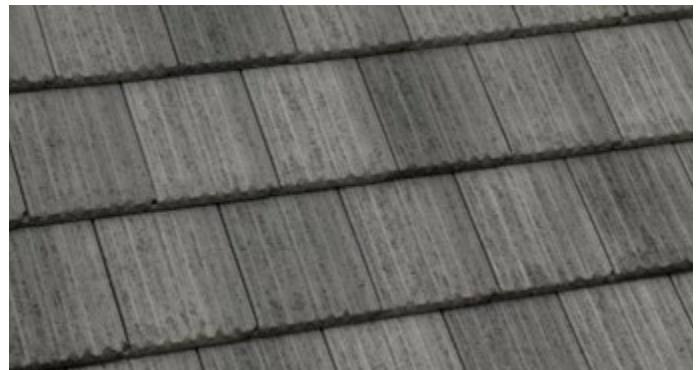
5690 Pewter Bronze Blend - Blend of Pewter Gray, Gold

T24 Ref.17 A.Ref.17 Emi.90 A.Emi.92 SRI 15 A.SRI 16 CRRC 0918-0060



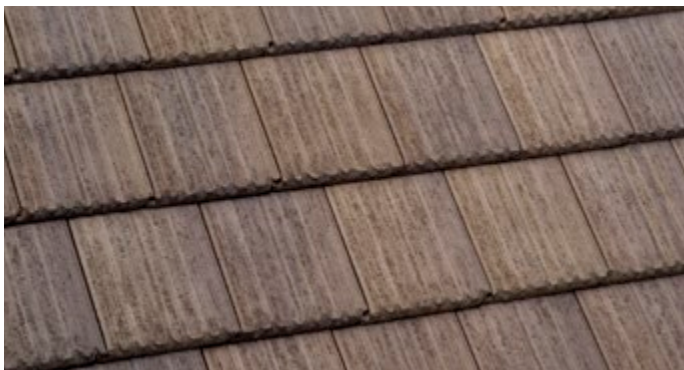
5698 Kona Red Range - Range of Red

T24 Ref.25 A.Ref.27 Emi.83 A.Emi.90 SRI 22 A.SRI 28 CRRC 0918-0018



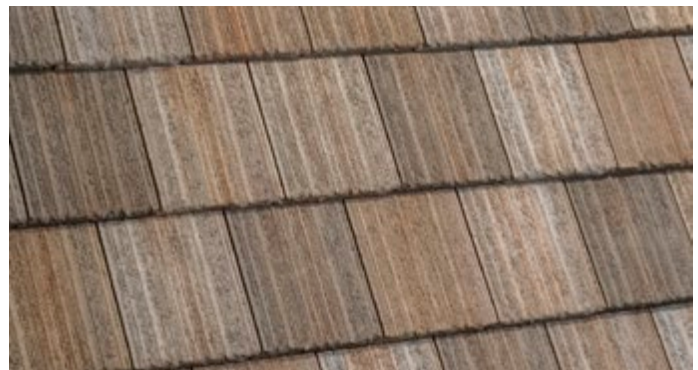
5699 Charcoal Range - Range of Gray

T24 Ref.15 A.Ref.17 Emi.94 A.Emi.92 SRI 15 A.SRI 16 CRRC 0918-0046



5702 Calabar Blend - Hues of Medium Brown, Rust Blend, Yellow Streaks

T24 Ref.18 A.Ref.20 Emi.88 A.Emi.92 SRI 15 A.SRI 20 CRRC 0918-0063



5808 Tombstone Blend - Blend of Pewter Gray, Bronze, Tan w/Streaks

T24 Ref.17 A.Ref.19 Emi.95 A.Emi.94 SRI 18 A.SRI 20 CRRC 0918-0097





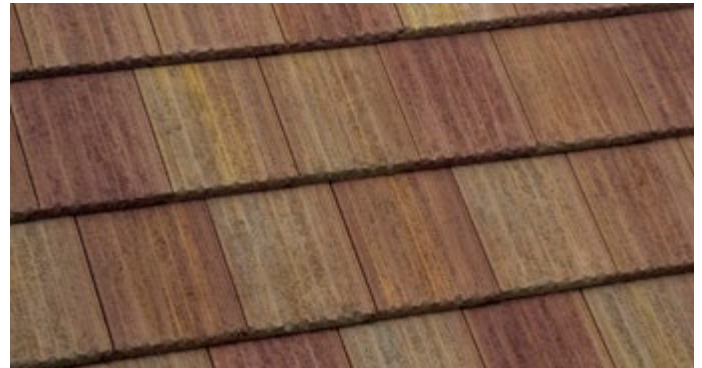
5809 Lomita Range - Range of Light Brown, Medium Brown, Maroon
T24 Ref.15 A.Ref.18 Emi.95 A.Emi.94 SRI 15 A.SRI 18 CRRC 0918-0093



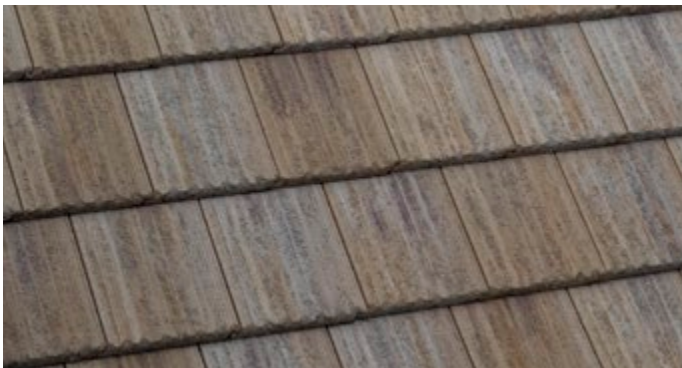
5810 Avondale Blend - Hues of Brown, Gray, Natural Gray w/Streaks
T24 Ref.13 A.Ref.15 Emi.95 A.Emi.94 SRI 13 A.SRI 15 CRRC 0918-0094



5814 San Pablo Blend - Blend of Golden Tan, Terracotta, Medium Brown, w/Streaks
T24 Ref.23 A.Ref.24 Emi.93 A.Emi.95 SRI 24 A.SRI 26 CRRC 0918-0092



5815 Red Bluff Blend - Blend of Maroon, Mocha, Terracotta, w/Streaks
T24 Ref.22 A.Ref.22 Emi.93 A.Emi.94 SRI 23 A.SRI 23 CRRC 0918-0089



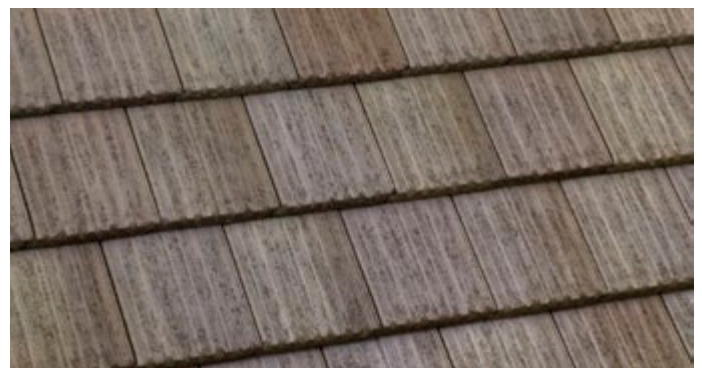
5880 Shasta Blend - Blend of Brown, Natural Gray, Tan, w/Streaks
T24 Ref.20 A.Ref.22 Emi.94 A.Emi.94 SRI 21 A.SRI 23 CRRC 0918-0088



SCP 8802 Nantucket Blend - Blend of Gray, Tan, Brown
T24 Ref.14 A.Ref.16 Emi.88 A.Emi.92 SRI 10 A.SRI 15 CRRC 0918-0065



SCP 8803 Arlington Blend - Blend of Gray, Tan, Taupe, Dark Brown
T24 Ref.13 A.Ref.16 Emi.89 A.Emi.92 SRI 10 A.SRI 15 CRRC 0918-0071



SCP 8804 Hershey Blend - Blend of Reddish Brown, Taupe, Dark Brown
T24 Ref.12 A.Ref.13 Emi.89 A.Emi.94 SRI 8 A.SRI 12 CRRC 0918-0078



Ponderosa



SCP 8805 Seattle Blend - Blend of Green, Taupe, Gray
T24 Ref.15 A.Ref.16 Emi.94 A.Emi.92 SRI15 A.SRI15 CRRC 918-0036



SHP 8706 Cascade Blend - Blend of Tan, Dark Brown
T24 Ref.14 A.Ref.16 Emi.90 A.Emi.92 SRI11 A.SRI15 CRRC 0918-0064



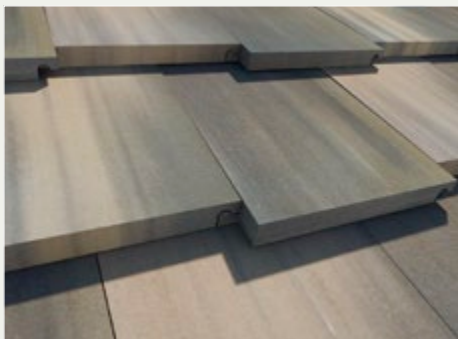
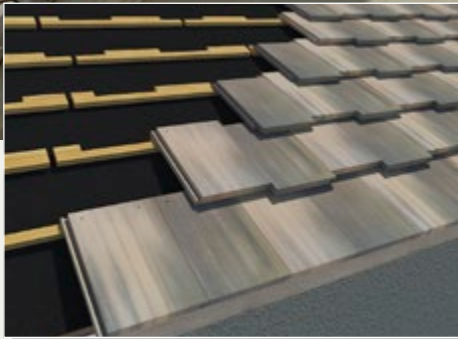
SHP 8707 Sierra Blend - Blend of Tan, Dark Brown, Reddish Brown
T24 Ref.14 A.Ref.16 Emi.90 A.Emi.92 SRI11 A.SRI15 CRRC 0918-0070



Ponderosa
5699 Charcoal Range

Staggered Installation

Installing flat tile with a staggered exposure is an easy way to give a home an “Old World” look. While staggered exposure tiles are a natural fit for architectural styles like English Cottage and French Country, this unique look can breathe new life into homes of many varied styles.



It is vitally important that the professional roofing contractor plans the entire roof layout prior to installing tiles, taking into consideration the weight and waste. Approximately half of the tiles on a staggered roof will have a shorter exposure than the other half. It will be essential to calculate the additional tiles required to create a unique staggered exposure roof prior to ordering product. Whether installing a staggered exposure tile roof with battens or without, it is imperative to make proper measurements when preparing the roof for installation. The first course at the eave will be installed normally with a standard exposure. The staggered exposure begins at the second course.

If battens are utilized, the staggered exposure is achieved by installing partial battens (no greater than 12” in length) immediately above the primary course battens beginning on the second course (as seen in upper inset illustration). The tiles with the shorter exposure will hang on the higher partial batten (see image). If a direct-to-deck application is utilized (no battens), a second set of chalk lines will be marked at each course, one line for the normal exposure and one for the staggered exposure tiles. This is based on a 1” stagger.

One more consideration is the water channel at the left side of the tile. The bottom of the water channel will be visible. Leaving this portion of the water channel exposed can detract from the desired look of the staggered roof, especially on steeper roof pitches where a majority of the face of each tile will be visible. If desired, exposed channel can be removed using a saw and/or tile nippers (as seen in lower inset illustration).

In the end, you can rest assured that flat tile with a staggered exposure will create an overall beautiful, unique look to your project.

Please note that although aesthetically stunning, staggered installations are extremely complicated and may cause layout and waterproofing complications. Your Roofing Contractor is ultimately responsible for the planning and proper installation of the tile.



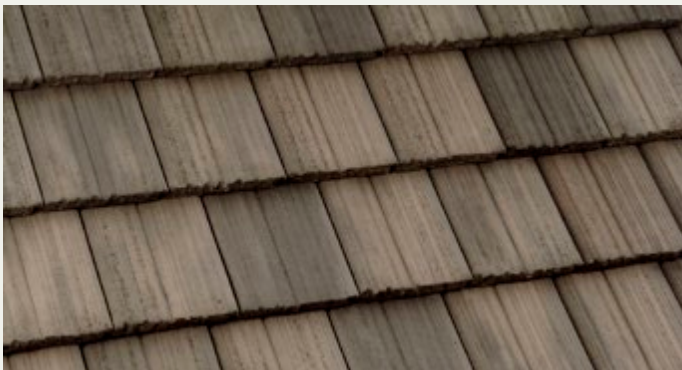
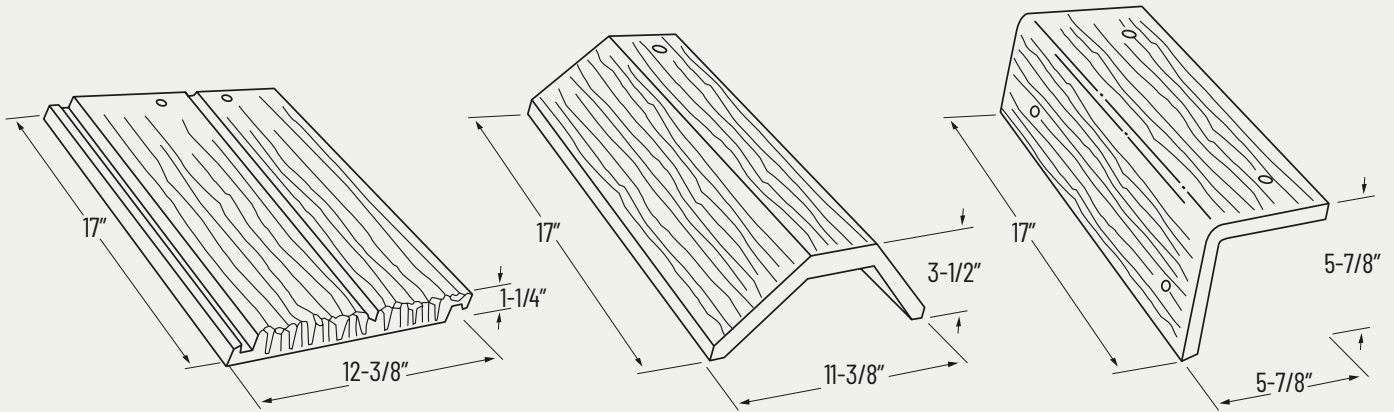
Double Eagle Ponderosa
5087 Brown Gray Range

Double Eagle Ponderosa

PER 100
SQ FT

88.5 Tiles (3" headlap)
970 Pounds (approx.)

If you are seeking the aesthetics of hand split cedar shake, then Double Eagle Ponderosa is for you! This tile will create a dramatic, classic look that will enhance the appearance of any residential or commercial property while providing you with the durability, sustainability and beauty you desire.



5087 Brown Gray Range - Range of Brown, Gray

T24 Ref.15 A.Ref.16 Emi.91 A.Emi.92 SRI13 A.SRI15 CRRC 0918-0028



5099 Charcoal Range - Range of Gray

T24 Ref.15 A.Ref.17 Emi.94 A.Emi.92 SRI15 A.SRI16 CRRC 0918-0046



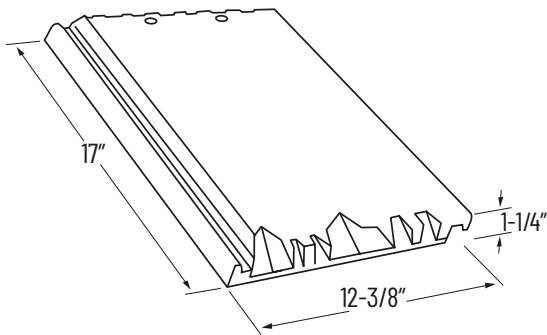


Tapered Slate
49655 Mount Dora Blend

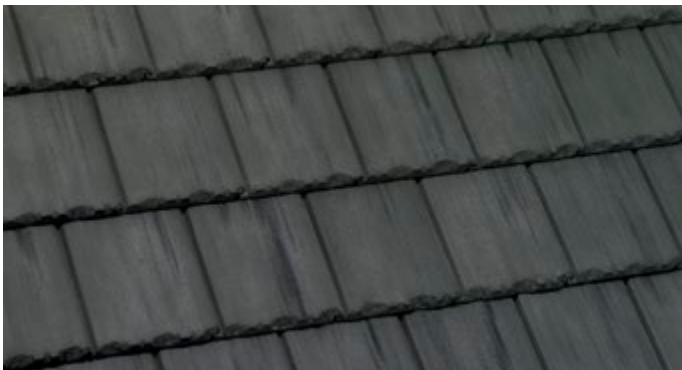
Tapered Slate

PER 100 SQ FT | **88.5** Tiles (3" headlap)
970 Pounds (approx.)

Tapered Slate tile features a beautiful smooth texture, beveled sides and an aggressive chamfered edge treatment that highlights the inherent beauty of traditional slate. Colors range from a variety of timeless earth tones, producing a natural blend of varying depths for a brilliant roof that you will be proud of.



49581 Arcadia Canyon Brown - Hues of Dark Brown, Black Streaks
T24 Ref.13 A.Ref.17 Emi.94 A.Emi.92 SRI12 A.SRI16 CRRC 0918-0043



49595 Dark Charcoal - Hues of Dark Charcoal, Black Streaks



49602 Concord Blend - Blend of Charcoal, Tan
T24 Ref.15 A.Ref.16 Emi.92 A.Emi.93 SRI14 A.SRI15 CRRC 0918-0107



49634 Kings Canyon Blend - Blend of Dark Green, Tan, Red and Black Streaks
T24 Ref.13 A.Ref.17 Emi.94 A.Emi.92 SRI12 A.SRI16 CRRC 0918-0044



49655 Mount Dora Blend - Blend of Gray, White, Black Streaks
T24 Ref.17 A.Ref.19 Emi.93 A.Emi.94 SRI17 A.SRI20 CRRC 0918-0109





Capistrano
SCC 8830 Albuquerque Blend



Barrel Profiles

Inspiration that will move you... Eagle's high and medium barrel shaped profiles exude rich colors, unmatched aesthetics and timeless elegance. Whether you are looking to emulate the authentic look of Spanish tile in the Old World or wish for a more contemporary style while mirroring the Mediterranean appearance found in the roofscapes of Italy, France and Greece; you can rest assured that your curb appeal will be the envy of everyone in your neighborhood.



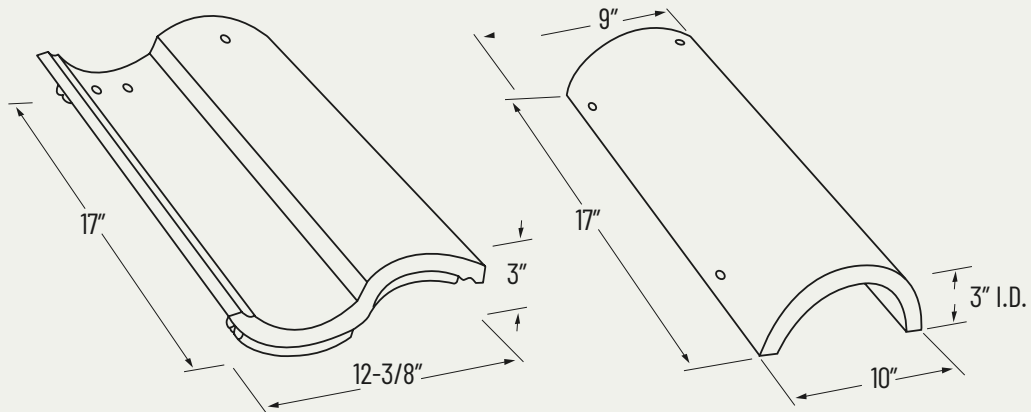
Capistrano
3636 Piedmont Blend

Capistrano

PER 100
SQ FT

88.5 Tiles (3" headlap)
900 Pounds (approx.)

A high S-profile tile, our Capistrano is semi-cylindrical and is the most traditionally recognized of all tile profiles. While you may think a Capistrano tile roof is suitable for only Spanish or Italian architecture, it actually offers stunning good looks that work well with any style, as it pairs nicely with stucco, stone or brick siding. It is used widely on residential, commercial, military and institutional buildings throughout the United States.



3511 Flintridge Gray - Hues of Natural Gray, Black Streaks
T24 Ref.21 A.Ref.21 Emi.93 A.Emi.90 SRI 22 A.SRI 20 CRRC 0918-0003



3520 Weathered Terracotta Flashed - Hues of Light Terracotta, Black, Red Streaks
T24 Ref.19 A.Ref.20 Emi.93 A.Emi.92 SRI 19 A.SRI 20 CRRC 0918-0038



3522 Terracotta Flashed - Hues of Terracotta, Black Streaks
T24 Ref.19 A.Ref.21 Emi.93 A.Emi.91 SRI 19 A.SRI 21 CRRC 0918-0033



3523 Dark Terracotta - Hues of Dark Terracotta

Capistrano



3526 Valencia - Hues of Red Orange, Brown Streaks

T24 Ref.19 A.Ref.20 Emi.89 A.Emi.92 SRI17 A.SRI 20 CRRC 0918-0053



3530 Weathered Adobe - Hues of Tan, Rust Streaks

T24 Ref.23 A.Ref.26 Emi.92 A.Emi.90 SRI 24 A.SRI 27 CRRC 0918-0017



3532 Weathered Terracotta - Hues of Terracotta, Gold Flashed

T24 Ref.24 A.Ref.26 Emi.88 A.Emi.88 SRI 23 A.SRI 26 CRRC 0918-0014



3538 Corona Red Flashed - Hues of Red, Black Streaks

T24 Ref.16 A.Ref.18 Emi.95 A.Emi.92 SRI 16 A.SRI 17 CRRC 0918-0035



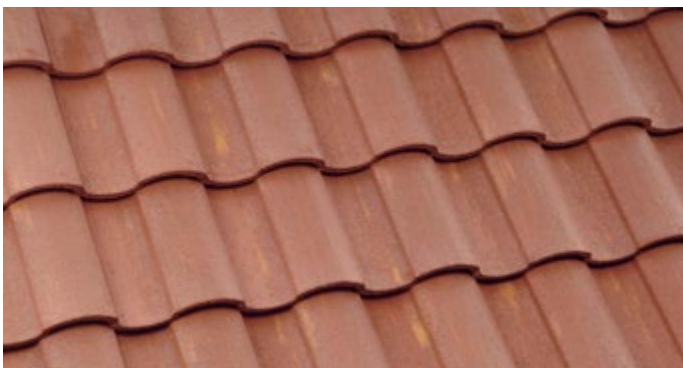
3549 Santa Paula - Hues of Tan, Cream, Brown Streaks

T24 Ref.20 A.Ref.20 Emi.89 A.Emi.89 SRI 18 A.SRI 18 CRRC 0918-0049



3555 Alhambra - Hues of Terracotta, Yellow Streaks

T24 Ref.22 A.Ref.22 Emi.89 A.Emi.92 SRI 21 A.SRI 22 CRRC 0918-0054



3560 Caliente - Hues of Red, Yellow Streaks

T24 Ref.28 A.Ref.27 Emi.88 A.Emi.90 SRI 28 A.SRI 28 CRRC 0918-0011



3576 Topanga - Hues of Brown, Black, Peach Streaks

T24 Ref.21 A.Ref.21 Emi.92 A.Emi.92 SRI 21 A.SRI 21 CRRC 0918-0027





3578 Ramona - Hues of Clay Red, Maroon Streaks
T24 Ref.15 A.Ref.18 Emi.93 A.Emi.91 SRI14 A.SRI17 CRRCC 0918-0034



3581 Arcadia Canyon Brown - Hues of Dark Brown, Black Streaks
T24 Ref.13 A.Ref.17 Emi.94 A.Emi.92 SRI12 A.SRI16 CRRCC 0918-0043



3598 Ocotilla - Hues of Peachy Tan, Charcoal, Cream Streaks
T24 Ref.25 A.Ref.27 Emi.89 A.Emi.90 SRI25 A.SRI28 CRRCC 0918-0001



3605 San Benito Blend - Blend of Terracotta, Light Brown
T24 Ref.20 A.Ref.21 Emi.92 A.Emi.91 SRI20 A.SRI21 CRRCC 0918-0031



Capistrano
 3598 Ocotilla

Capistrano



3606 Vallejo Range - Range of Dark Purple

T24 Ref.15 A.Ref.18 Emi.92 A.Emi.91 SRI14 A.SRI17 CRRC 0918-0048



3615 Weathered Terracotta Range - Range of Terracotta

T24 Ref.23 A.Ref.25 Emi.87 A.Emi.88 SRI21 A.SRI24 CRRC 0918-0015



3626 Rancho Cordova Blend - Blend of Green, Gold, Purple

T24 Ref.24 A.Ref.23 Emi.91 A.Emi.91 SRI25 A.SRI23 CRRC 0918-0040



3628 Knoxville Blend - Blend of Gray, Red, Terracotta, Light Brown, Black Streaking

T24 Ref.20 A.Ref.21 Emi.93 A.Emi.95 SRI20 A.SRI23 CRRC 0918-0100



Capistrano
3626 Rancho Cordova Blend

Capistrano
3646 Sunset Blend



3634 Kings Canyon Blend - Blend of Dark Green, Tan, Red and Black Streaks
T24 Ref.13 A.Ref.17 Emi.94 A.Emi.92 SRI12 A.SRI 16 CRRCC 0918-0044



3636 Piedmont Blend - Blend of Terracotta, Maroon, Brown
T24 Ref.18 A.Ref.19 Emi.90 A.Emi.94 SRI16 A.SRI 20 CRRCC 0918-0066



3645 Sunrise Blend - Blend of Terracotta, Brown
T24 Ref.18 A.Ref.21 Emi.93 A.Emi.93 SRI18 A.SRI 22 CRRCC 0918-0030



3646 Sunset Blend - Blend of Medium Terracotta, Brown
T24 Ref.16 A.Ref.18 Emi.94 A.Emi.91 SRI16 A.SRI 17 CRRCC 0918-0042



Capistrano



Capistrano
3687 Brown Gray Range



3680 Los Padres Blend - Blend of Terracotta, Tan, Gray
T24 Ref.24 A.Ref.24 Emi.91 A.Emi.91 SRI 25 A.SRI 25 CRRC 0918-0013



3684 San Rafael Blend - Blend of Purple, Tan
T24 Ref.16 A.Ref.18 Emi.91 A.Emi.94 SRI 14 A.SRI 18 CRRC 0918-0068



3687 Brown Gray Range - Range of Brown, Gray
T24 Ref.15 A.Ref.16 Emi.92 SRI 13 A.SRI 15 CRRC 0918-0028



3689 Brown Range - Range of Brown
T24 Ref.15 A.Ref.17 Emi.92 A.Emi.93 SRI 14 A.SRI 17 CRRC 0918-0026





3690 Pewter Bronze Blend - Blend of Pewter Gray, Gold
T24 Ref.17 A.Ref.17 Emi.90 A.Emi.92 SRI 15 A.SRI 16 CRRC 0918-0060



3697 Slate Range - Range of Charcoal
T24 Ref.15 A.Ref.17 Emi.94 A.Emi.92 SRI 15 A.SRI 16 CRRC 0918-0046



3698 Kona Red Range - Range of Red
T24 Ref.25 A.Ref.27 Emi.83 A.Emi.90 SRI 22 A.SRI 28 CRRC 0918-0018



3701 San Savaine Blend - Hues of Medium Brown, Cream, Terracotta and Dark Brown Streaks
T24 Ref.18 A.Ref.21 Emi.88 A.Emi.92 SRI 15 A.SRI 21 CRRC 0918-0069



Capistrano
 3698 Kona Red Range

Capistrano



3702 Calabar Blend - Hues of Medium Brown, Rust Blend, Yellow Streaks
T24 Ref.18 A.Ref.20 Emi.88 A.Emi.92 SRI15 A.SRI 20 CRRC 0918-0063



3723 Adobe Blend - Blends of Maroon, Terracotta, Gray, Gold
T24 Ref.17 A.Ref.17 Emi.92 A.Emi.91 SRI 16 A.SRI 16 CRRC 0918-0045



3743 Cocoa Range - Range of Dark Brown
T24 Ref.12 A.Ref.14 Emi.91 A.Emi.93 SRI9 A.SRI 13 CRRC 0918-0106



3773 Walnut Creek Blend - Blend of Tan, Orange, Dark Brown
T24 Ref.20 A.Ref.23 Emi.94 A.Emi.91 SRI 21 A.SRI 23 CRRC 0918-0037



Capistrano
3723 Adobe Blend



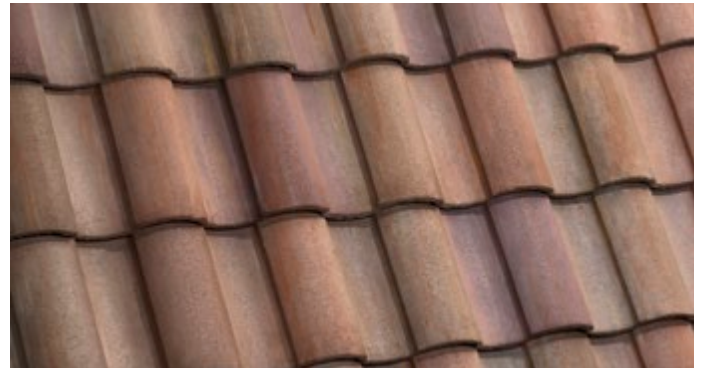
3794 Coronado - Hues of Tan, Charcoal, Cream Streaks
T24 Ref.27 A.Ref.29 Emi.94 A.Emi.88 SRI 30 A.SRI 30 CRRC 0918-0016



3813 San Mateo Blend - Blend of Brown, Red, Tan, Light Terracotta
T24 Ref.19 A.Ref.20 Emi.93 A.Emi.95 SRI 19 A.SRI 21 CRRC 0918-0090



3814 San Pablo Blend - Blend of Golden Tan, Terracotta, Medium Brown, w/Streaks
T24 Ref.23 A.Ref.24 Emi.93 A.Emi.95 SRI 24 A.SRI 26 CRRC 0918-0092



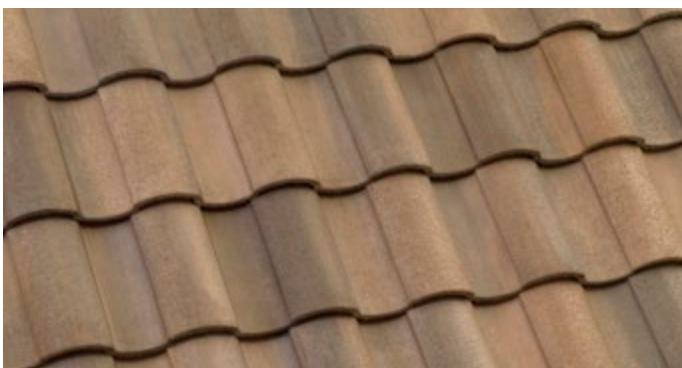
3815 Red Bluff Blend - Blend of Maroon, Mocha, Terracotta, w/Streaks
T24 Ref.22 A.Ref.22 Emi.93 A.Emi.94 SRI 23 A.SRI 23 CRRC 0918-0089



3816 San Ramon Range - Range of Dark Brown, Tan, Terracotta, Light Terracotta
T24 Ref.19 A.Ref.21 Emi.94 A.Emi.95 SRI 20 A.SRI 23 CRRC 0918-0091



3817 La Salle Blend - Blend of Bright Orange, Brown and Tan
T24 Ref.25 A.Ref.25 Emi.91 A.Emi.93 SRI 26 A.SRI 27 CRRC 0918-0104



37646 Desert Clay Blend - Blend of Medium Terracotta, Light Brown
T24 Ref.16 A.Ref.18 Emi.94 A.Emi.91 SRI 16 A.SRI 17 CRRC 0918-0042



38709 Davenport Blend - Blend of Maroon, Light Terracotta
T24 Ref.17 A.Ref.18 Emi.88 A.Emi.91 SRI 14 A.SRI 17 CRRC 0918-0076



Capistrano



SCC 8805 Seattle Blend - Blend of Green, Taupe, Gray

T24 Ref.15 A.Ref.16 Emi.94 A.Emi.92 SRI15 A.SRI15 CRRC 0918-0036



SCC 8806 Tucson Blend - Blend of Tan, Terracotta, Mauve

T24 Ref.20 A.Ref.19 Emi.88 A.Emi.92 SRI18 A.SRI19 CRRC 0918-0085



SCC 8825 Corona Del Mar Blend - Blend of Dark Brown, Tan, Maroon, Brown Streaks

T24 Ref.14 A.Ref.17 Emi.90 A.Emi.92 SRI11 A.SRI16 CRRC 0918-0074



SCC 8829 Santa Fe Blend - Blend of Orange, Maroon, Dark Brown, Terracotta



SCC 8830 Albuquerque Blend - Blend of Dark Brown, Terracotta, Maroon

T24 Ref.17 A.Ref.19 Emi.90 A.Emi.92 SRI15 A.SRI19 CRRC 0918-0050



SHC 8708 Del Oro Blend - Blend of Terracotta, Gold, Tan, Brown

T24 Ref.14 A.Ref.17 Emi.90 A.Emi.92 SRI11 A.SRI16 CRRC 0918-0075



SHC 8709 El Morado Blend - Blend of Terracotta, Burgundy

T24 Ref.17 A.Ref.18 Emi.88 A.Emi.91 SRI14 A.SRI17 CRRC 0918-0076



SHC 8711 Puesta Del Sol Blend - Blend of Tan, Orange Red, Dark Brown

T24 Ref.18 A.Ref.22 Emi.89 A.Emi.92 SRI16 A.SRI22 CRRC 0918-0080





SMC 8401 San Miguel Blend - Blend of Dark Chocolate Brown, Taupe, Rosy Brown



SMC 8402 Santa Cruz Blend - Blend of Tan, Reddish Brown, Brown

T24 Ref.14 A.Ref.17 Emi.89 A.Emi.92 SRI11 A.SRI16 CRRC 0918-0058



SMC 8403 Santa Barbara Blend - Blend of Light, Dark Terracotta, Mauve, Dark Beige

T24 Ref.22 A.Ref.21 Emi.92 A.Emi.92 SRI22 A.SRI21 CRRC 0918-0056



SMC 8404 San Juan Blend - Blend of Peach, Tan, Terracotta

T24 Ref.30 A.Ref.33 Emi.85 A.Emi.90 SRI30 A.SRI36 CRRC 0918-0012 LEED+



SMC 8816 San Gabriel Blend - Blend of Golden Yellow, Maroon

T24 Ref.15 A.Ref.18 Emi.93 A.Emi.91 SRI14 A.SRI17 CRRC 0918-0034



SMC 8820 Santa Clara Blend - Blend of Red, Orange, Beige

T24 Ref.21 A.Ref.23 Emi.83 A.Emi.91 SRI17 A.SRI23 CRRC 0918-0021



SMC 8822 San Buenaventura - Hues of Clay Red

T24 Ref.24 A.Ref.23 Emi.87 A.Emi.92 SRI23 A.SRI24 CRRC 0918-0067



Malibu
2526 Valencia



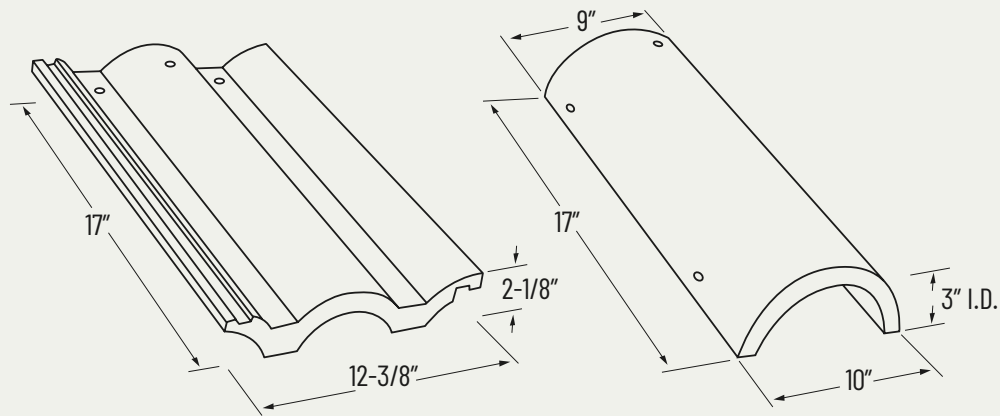


Malibu

PER 100
SQ FT

88 Tiles (3" headlap)
903 Pounds (approx.)

Malibu tile has gentle curves, which adds visual interest and striking effects, easily complementing modern architectural designs and large buildings. It's particularly effective on distinctive homes, apartments, hotels, places of worship and commercial structures. It's the best of both worlds, where Mediterranean meets Contemporary.



2511 Flintridge Gray - Hues of Natural Gray, Black Streaks
T24 Ref.21 A.Ref.21 Emi.93 A.Emi.90 SRI 22 A.SRI 20 CRRCC 0918-0003



2520 Weathered Terracotta Flashed - Hues of Light Terracotta, Black, Red Streaks
T24 Ref.19 A.Ref.20 Emi.93 A.Emi.92 SRI 19 A.SRI 20 CRRCC 0918-0038



2522 Terracotta Flashed - Hues of Terracotta, Black Streaks
T24 Ref.19 A.Ref.21 Emi.93 A.Emi.91 SRI 19 A.SRI 21 CRRCC 0918-0033



2523 Dark Terracotta - Hues of Dark Terracotta



2526 Valencia - Hues of Red Orange, Brown Streaks

T24 Ref.19 A.Ref.20 Emi.89 A.Emi.92 SRI17 A.SRI 20 CRRC 0918-0053



2530 Weathered Adobe - Hues of Tan, Rust Streaks

T24 Ref.23 A.Ref.26 Emi.92 A.Emi.90 SRI 24 A.SRI 27 CRRC 0918-0017



2532 Weathered Terracotta - Range of Terracotta, Gold Flashed

T24 Ref.24 A.Ref.26 Emi.88 A.Emi.88 SRI 23 A.SRI 26 CRRC 0918-0014



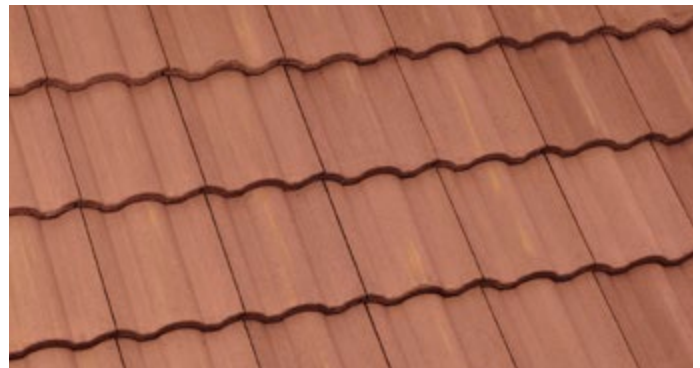
2549 Santa Paula - Hues of Tan, Cream, Brown Streaks

T24 Ref.20 A.Ref.20 Emi.89 A.Emi.89 SRI 18 A.SRI 18 CRRC 0918-0049



2555 Alhambra - Hues of Terracotta, Yellow Streaks

T24 Ref.22 A.Ref.22 Emi.89 A.Emi.92 SRI 21 A.SRI 22 CRRC 0918-0054



2560 Caliente - Hues of Red, Yellow Streaks

T24 Ref.28 A.Ref.27 Emi.88 A.Emi.90 SRI 28 A.SRI 28 CRRC 0918-0011



2576 Topanga - Brown, Black, Peach Streaks

T24 Ref.21 A.Ref.21 Emi.92 A.Emi.92 SRI 21 A.SRI 21 CRRC 0918-0027



2578 Ramona - Clay Red, Maroon Streaks

T24 Ref.15 A.Ref.18 Emi.93 A.Emi.91 SRI 14 A.SRI 17 CRRC 0918-0034





Malibu
2522 Terracotta Flashed



2581 Arcadia Canyon Brown - Hues of Dark Brown, Black Streaks
T24 Ref.13 A.Ref.17 Emi.94 A.Emi.92 SRI 12 A.SRI 16 CRRC 0918-0043



2605 San Benito Blend - Blend of Terracotta, Light Brown
T24 Ref.20 A.Ref.21 Emi.92 A.Emi.91 SRI 20 A.SRI 21 CRRC 0918-0031



2606 Vallejo Range - Range of Dark Purple
T24 Ref.15 A.Ref.18 Emi.92 A.Emi.91 SRI 14 A.SRI 17 CRRC 0918-0048



2615 Weathered Terracotta Range - Range of Terracotta
T24 Ref.23 A.Ref.25 Emi.87 A.Emi.88 SRI 21 A.SRI 24 CRRC 0918-0015



Malibu



2626 Rancho Cordova Blend - Blend of Green, Gold, Purple
T24 Ref.24 A.Ref.23 Emi.91 A.Emi.91 SRI 25 A.SRI 23 CRRC 0918-0040



2628 Knoxville Blend - Blend of Gray, Red, Terracotta, Light Brown, Black Streaking
T24 Ref.20 A.Ref.21 Emi.93 A.Emi.95 SRI 20 A.SRI 23 CRRC 0918-0100



2634 Kings Canyon Blend - Blend of Dark Green, Tan, Red and Black Streaks
T24 Ref.13 A.Ref.17 Emi.94 A.Emi.92 SRI 12 A.SRI 16 CRRC 0918-0044



2636 Piedmont Blend - Blend of Terracotta, Maroon, Brown
T24 Ref.18 A.Ref.19 Emi.90 A.Emi.94 SRI 16 A.SRI 20 CRRC 0918-0066



2645 Sunrise Blend - Blend of Terracotta, Brown
T24 Ref.18 A.Ref.21 Emi.93 A.Emi.93 SRI 18 A.SRI 22 CRRC 0918-0030



2646 Sunset Blend - Blend of Medium Terracotta, Brown
T24 Ref.16 A.Ref.18 Emi.94 A.Emi.91 SRI 16 A.SRI 17 CRRC 0918-0042



2680 Los Padres Blend - Blend of Terracotta, Tan, Gray
T24 Ref.24 A.Ref.24 Emi.91 A.Emi.91 SRI 25 A.SRI 25 CRRC 0918-0013



2684 San Rafael Blend - Blend of Purple, Tan
T24 Ref.16 A.Ref.18 Emi.91 A.Emi.94 SRI 14 A.SRI 18 CRRC 0918-0068





Malibu
2581 Arcadia Canyon Brown

Malibu



2687 Brown Gray Range - Range of Brown, Gray

T24 Ref.15 A.Ref.16 Emi.91 A.Emi.92 SRI13 A.SRI15 CRRC 0918-0028



2689 Brown Range - Range of Brown

T24 Ref.15 A.Ref.17 Emi.92 A.Emi.93 SRI14 A.SRI17 CRRC 0918-0026



2690 Pewter Bronze Blend - Blend of Pewter Gray, Gold

T24 Ref.17 A.Ref.17 Emi.90 A.Emi.92 SRI15 A.SRI16 CRRC 0918-0060



2697 Slate Range - Range of Charcoal

T24 Ref.15 A.Ref.17 Emi.94 A.Emi.92 SRI15 A.SRI16 CRRC 0918-0046



Malibu
2697 Slate Range



2698 Kona Red Range - Range of Red
T24 Ref.25 A.Ref.27 Emi.83 A.Emi.90 SRI 22 A.SRI 28 CRRC 0918-0018



2702 Calabar Blend - Hues of Medium Brown, Rust Blend, Yellow Streaks
T24 Ref.18 A.Ref.20 Emi.88 A.Emi.92 SRI 15 A.SRI 20 CRRC 0918-0063



2723 Adobe Blend - Blend of Maroon, Terracotta, Gray, Gold
T24 Ref.17 A.Ref.17 Emi.92 A.Emi.91 SRI 16 A.SRI 16 CRRC 0918-0045



2743 Cocoa Range - Range of Dark Brown
T24 Ref.12 A.Ref.14 Emi.91 A.Emi.93 SRI 9 A.SRI 13 CRRC 0918-0106



2773 Walnut Creek Blend - Blend of Tan, Orange, Dark Brown
T24 Ref.20 A.Ref.23 Emi.94 A.Emi.91 SRI 21 A.SRI 23 CRRC 0918-0037



2814 San Pablo Blend - Blend of Golden Tan, Terracotta, Medium Brown, W/Streaks
T24 Ref.23 A.Ref.24 Emi.93 A.Emi.95 SRI 24 A.SRI 26 CRRC 0918-0092



2815 Red Bluff Blend - Blend of Maroon, Mocha, Terracotta, W/Streaks
T24 Ref.22 A.Ref.22 Emi.93 A.Emi.94 SRI 23 A.SRI 23 CRRC 0918-0089



2817 La Salle Blend - Blend of Bright Orange, Brown and Tan
T24 Ref.25 A.Ref.25 Emi.91 A.Emi.93 SRI 26 A.SRI 27 CRRC 0918-0104



Malibu

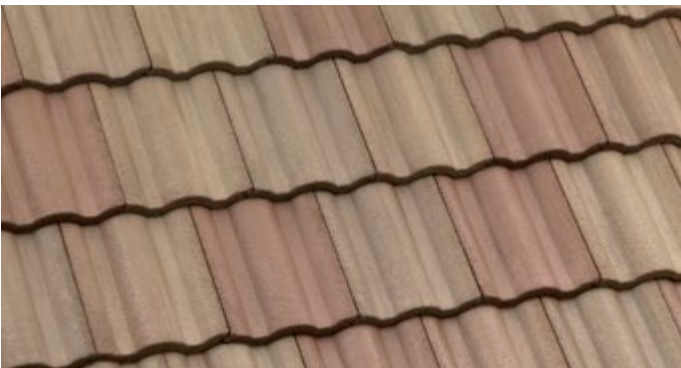
Malibu
2773 Walnut Creek Blend



SCM 8805 Seattle Blend - Blend of Green, Taupe, Gray
T24 Ref.15 A.Ref.16 Emi.94 A.Emi.92 SRI15 A.SRI15 CRRC 0918-0036



SCM 8806 Tucson Blend - Blend of Tan, Terracotta, Mauve
T24 Ref.20 A.Ref.19 Emi.88 A.Emi.92 SRI18 A.SRI19 CRRC 0918-0085



SCM 8825 Corona Del Mar Blend - Blend of Dark Brown, Tan, Maroon, Brown Streaks
T24 Ref.14 A.Ref.17 Emi.90 A.Emi.92 SRI11 A.SRI16 CRRC 0918-0074



SCM 8830 Albuquerque Blend - Blend of Dark Brown, Terracotta, Maroon
T24 Ref.17 A.Ref.19 Emi.90 A.Emi.92 SRI15 A.SRI19 CRRC 0918-0050





SMM 8402 Santa Cruz Blend - Blend of Tan, Reddish Brown, Brown
T24 Ref.14 A.Ref.17 Emi.89 A.Emi.92 SRI11 A.SRI16 CRRC 0918-0058



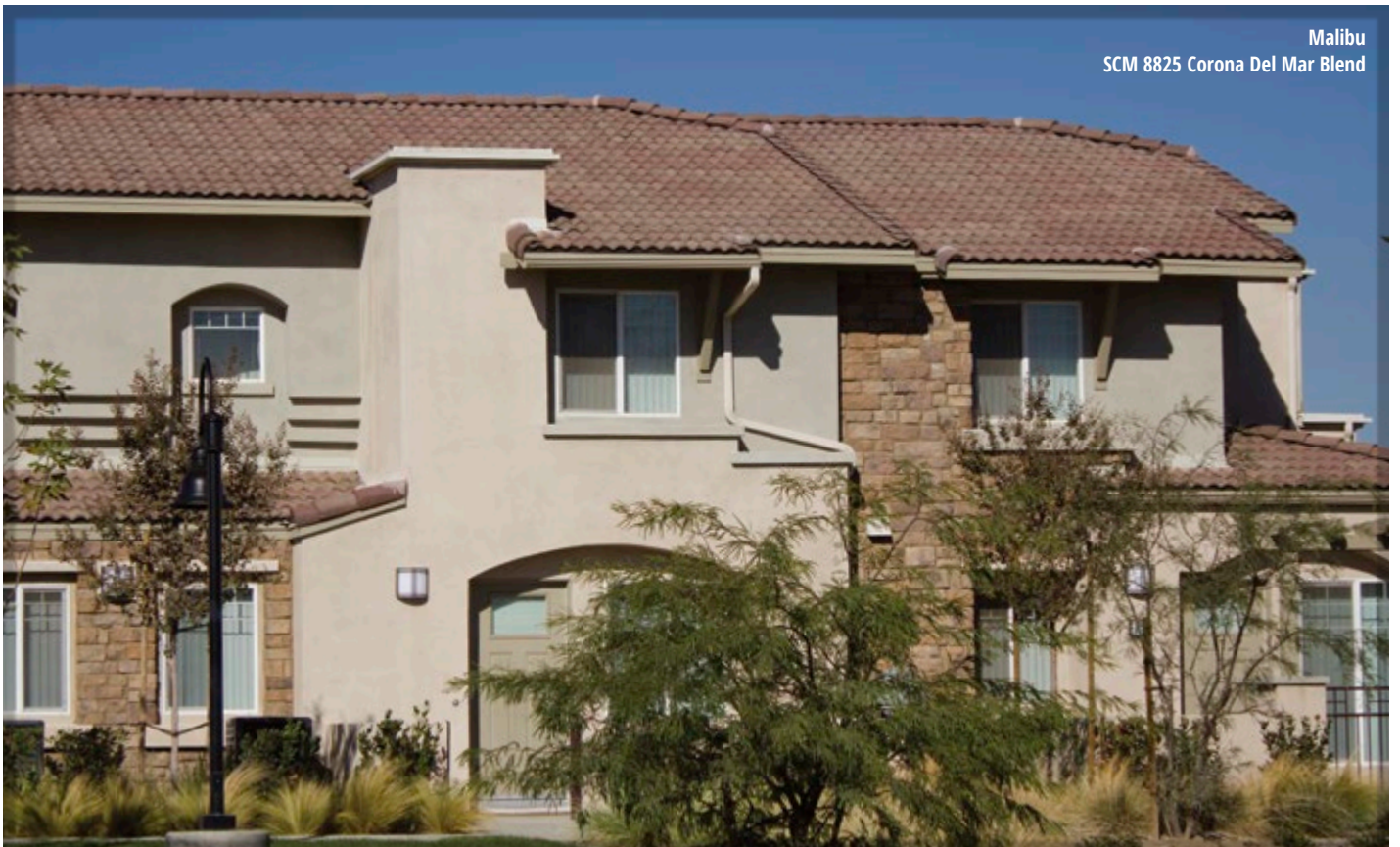
SMM 8816 San Gabriel Blend - Blend of Golden Yellow, Maroon
T24 Ref.15 A.Ref.18 Emi.93 A.Emi.91 SRI14 A.SRI17 CRRC 0918-0034



SMM 8404 San Juan Blend - Blend of Peach, Tan, Terracotta
T24 Ref.30 A.Ref.33 Emi.85 A.Emi.90 SRI30 A.SRI36 CRRC 0918-0012 LEED+



SMM 8820 Santa Clara Blend - Blend of Red, Orange, Beige
T24 Ref.21 A.Ref.23 Emi.83 A.Emi.91 SRI17 A.SRI23 CRRC 0918-0021



Malibu
 SCM 8825 Corona Del Mar Blend



Capistrano—Boosted
3645 Sunrise Blend



Boosted Capistrano Accessories

Seeking the genuine look of old Spanish tile without the premium cost of a clay roof? Realize your vision with Eagle's Boosted Capistrano. Your home will dazzle with rustic touches of Old World charm that bring the genuine look of natural clay to life. All this with the peace of mind that your concrete tile roof is designed to last the life of your structure, while adding undeniable character to your exterior space.

Boosted Capistrano Accessories

It's easy to create the beauty of an authentic mortar-boosted clay roof with our Boosted Capistrano accessory pieces. Available in a wide range of colors, these pieces were designed to complement your Capistrano tile. For best results, mix your Boosted color and base color as this will add to the authenticity of your roof.

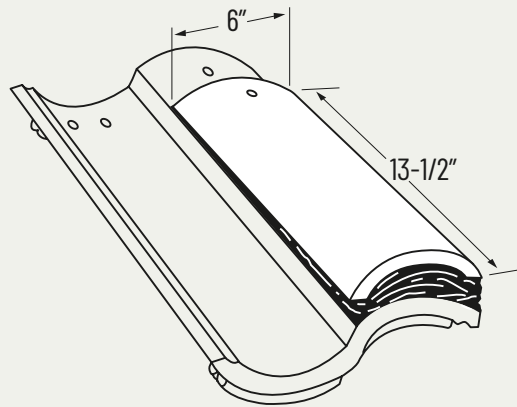
Considerations:

- Choose a Boosted accessory piece to go with your base tile. For color options, please contact an Eagle Account Representative.
- Decide on the look that you want. Prefer a neater treatment? Want a more authentic look?
- Decide how much boost you would like.

No matter what type of Boosted application you choose, your new Eagle Boosted Capistrano roof will be sure to impress.

% USED ON ROOF	APPROX. INSTALLED WEIGHT FIELD TILE PER 100 SQ FT
10% Application	990
20% Application	1080
30% Application	1170

Each Boosted piece weighs approximately 4.8 lbs.



Close-Up of Boosted Eave



approx. 10% Overall Boost | approx. 990 lbs per square



approx. 20% Overall Boost | approx. 1080 lbs per square



approx. 30% Overall Boost | approx. 1170 lbs per square

Capistrano
3773 Walnut Creek Blend





Why Eagle Roofing Products *and Concrete Roof Tile*

Eagle Roofing Products is the largest, USA owned concrete roof tile manufacturer in the United States. For over 25 years, we have excelled in providing our customers with durable, energy efficient and environmentally friendly concrete roof tiles that are beautiful and timeless.

Eagle Roofing Products

Whether you are building a new home or re-roofing your existing one, your home deserves the best roof possible. When you choose Eagle concrete tile, you'll get a roof that is aesthetically stunning, durable and sustainable.



Founded over 25 years ago by Robert Burlingame, Eagle began operations in the fall of 1989 with one high-pressure concrete tile extrusion machine. Today, Eagle's Rialto, California facility is the largest in North America. In addition to Rialto, we operate facilities in Phoenix, Arizona as well as Stockton, California and Sumterville, Florida meeting the demand for concrete roof tile across the United States and Canada.



Our expertise, coupled with our extensive array of profiles and colors, enables us to provide our customers with high quality concrete roofing products that are beautiful, long-lasting and environmentally friendly.

Eagle's long experience in the roof tile industry and dedication to prompt personal response to its customers' needs have resulted in a well-deserved reputation for quality and service—a reputation that is unmatched.

Eagle is customer service.

Unsurpassed Beauty, Strength and Longevity

When you choose a concrete tile roof from Eagle Roofing Products, you are choosing years of protection and peace of mind. Our tile is tested to the highest standards of the industry. A properly installed Eagle Tile Roof will withstand the elements through rain, snow, high wind and scorching heat – outperforming all other roofing products, while remaining aesthetically stunning.



Fire Tested – Eagle Roof Tile is a Class A roof covering that will protect your home and personal property.



High Wind Tested – Installed correctly, Eagle Roof Tile can survive the strongest storms and harshest weather. Eagle tile is tested and approved

for use in the Miami Dade high velocity hurricane zone, withstanding sustained winds of up to 180mph.



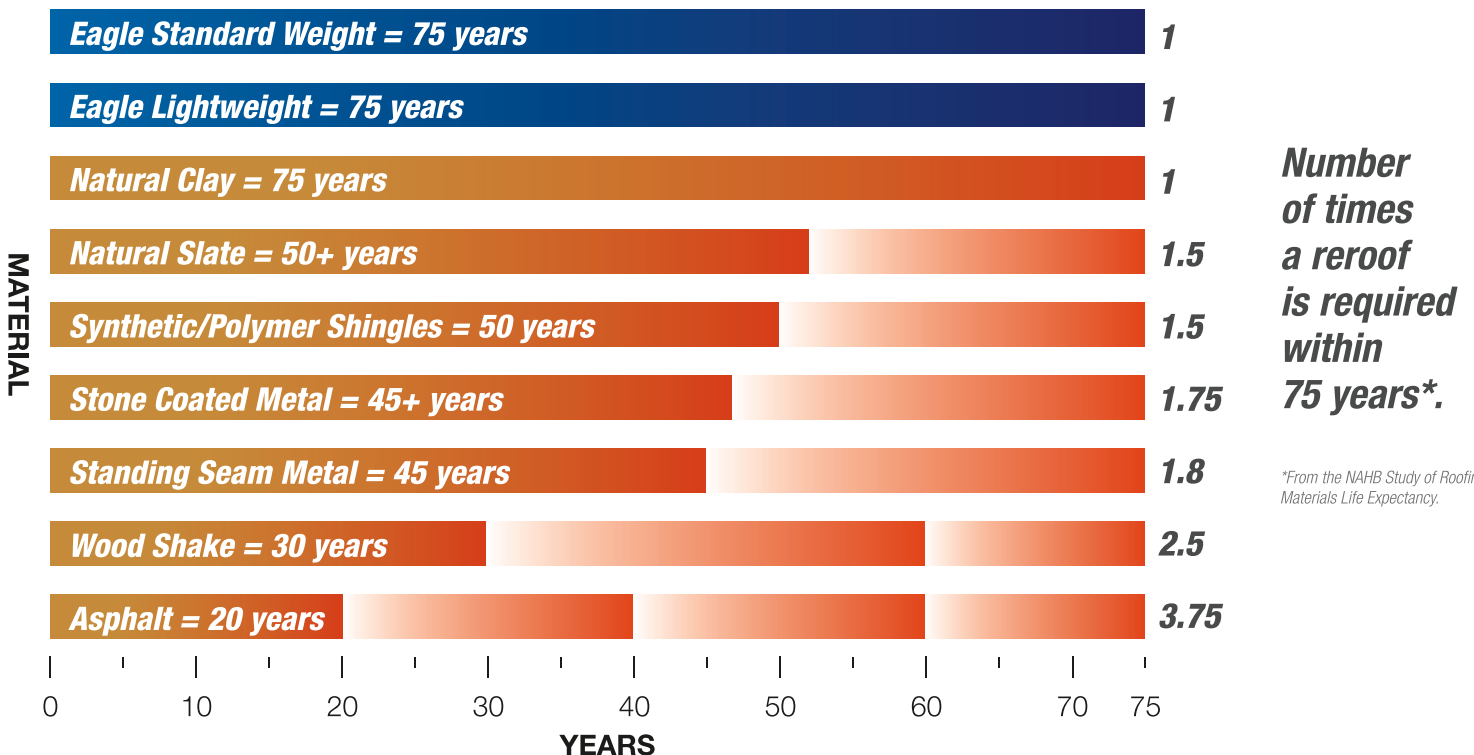
Hail/Impact Tested* – Concrete roof tile stands up to hail, as well as or better than, any other roofing product. Some insurance companies offer discounted premiums for houses with tile roofs because of its impact resistance.

*Stockton, Arizona and Florida manufactured tiles only.



***Freeze Thaw Protection** – Eagle Roof Tile passes Freeze-Thaw requirements. *Excludes color bonded/slurry tiles.

Roofing material lifespan over 75 years.*



Tile Roofing Is Simply The Superior Choice

New Construction • Reroof • Residential • Commercial



Tile. Sustainable, aesthetically superior protection.

Asphalt Shingle. Temporary, basic roof covering.

HOW DOES TILE COMPARE TO ASPHALT SHINGLES?

- Real tile roofs are no longer only “round and red”. Tile roofs are available in a variety of profiles and colors.
- Tile roofs are produced from ALL natural products - concrete or clay.
 - Tile roofs are not plastic, resin, rubber or metal.
 - Tile roofs do not warp, rust or bend.
- Tile roofs are heavier than asphalt shingles. Weight equates to longevity, thermal superiority, weather, impact resistance and much more.
- Tile roofs invite extreme weather conditions, while asphalt shingle manufacturers base their sales projections on how many of their roofs will need replacing every year.
 - Tile can withstand sustained winds of up to 180mph*
 - Class A Roof Covering
 - Freeze-Thaw (Excludes color bonded/slurry tiles)
- Asphalt shingles are not distinctive.
- Asphalt shingles are not environmentally friendly, as they are a petroleum based product and fill landfills.
- Asphalt shingles do not perform well in hail storms. Roofers swarm neighborhoods subjected to the slightest hail storm.
- Synthetics and plastic products lack a proven track record as a long-lasting and durable roofing product.
- Asphalt shingles are easily damaged by high winds, especially after they age, dry out, lose granules and crack.
- Shingles are not resistant to extreme temperature variations, lending to cracking and loss of color, as they are dependent on granules that are temporarily adhered to the shingle.



Manufacturing Facilities Servicing

Every customer is different. Every project is different. We understand.

Whether you are an Architect, Builder, Designer, Distributor, Roofer or Homeowner, with four manufacturing plants servicing the United States and Canada, our customers can rest assured that we have the right products to meet their needs. Quality products and customer relationships are the core of our business. That's what inspires us to be your company of choice. That's what makes us different.



the United States and Canada





The color represented in this inspirational photo may not be available in your area. Similar palettes, available in your region, may be suggested as an alternative by your local Eagle Account Representative.



Committed to your Trust and Satisfaction

Approvals

IAPMO ER #1900

Specifying Eagle

Every effort has been made to provide you with the tools you need to specify Eagle on your next residential or commercial project. You can find these tools on our website at eagleroofing.com under the main tab Resources – Design Professionals.

Installation

Eagle recommends that you find a licensed and insured Roofer for all of your roofing needs. Detailed installation recommendations can be found in the *Concrete and Clay Roof Tile Installation Manual (July 2015)* published by the Tile Roofing Institute & Western States Roofing Contractor Association. For further information, please visit: tileroofing.org

Blended Tile

Blended tile provides added value and beauty to any architectural structure. However, it requires careful placement by your Roofing Contractor, who is responsible for ensuring that the placement of the tile is completed in an aesthetically pleasing manner. Eagle Roofing Products recommends that you discuss this design effect with your Roofer, prior to installation, to ensure that no hot spots (patches of color that undo the blended effect) are created.

Warranty

As the largest USA Owned, USA Made concrete roof tile manufacturer, Eagle Roofing Products proudly stands behind its products with a Lifetime Transferable Limited Product Warranty. We recommend that all customers read our warranty for details and conditions, which can be found at eagleroofing.com.

Disclaimer

Eagle Roofing Products concrete roof tile is made from natural materials and color variations are to be expected. Every effort has been made to ensure the colors in this brochure are as close to the actual roof tile; however, photographic and printing techniques can alter the printed colors shown, varying it from actual tile colors. In addition, colors are subject to change, as slight variations in color or flashing may occur during manufacturing. To ensure your satisfaction with the tile you chose from this brochure, we strongly recommend that you obtain a free tile sample from your Roofing Contractor, an Eagle Design Center or an Eagle Account Representative before placing your order.

Visit an Eagle Design Center

A beautiful roof is one of the most important architectural elements of a home or building. So why not visit an Eagle Design Center, where you can see our huge selection of colors, textures, styles and products? Whether you need tile samples, design consultation, technical specifications, installation guides or more, our knowledgeable professionals are here to support you every step of the way.



Call Today to Schedule Your Free Consultation!

California Design Centers

Southern California

Irvine
17875 Sky Park Circle, Suite F
Irvine, CA 92614
Phone: 949-553-8333

Rialto
2352 N. Locust Avenue, Gate 2
Rialto, CA 92377
Phone: 800-400-3245

Northern California

Granite Bay
7095 Douglas Blvd., Ste. K
Granite Bay, CA 95746
Phone: 916-789-4555



Corporate Offices

3546 N. Riverside Ave.
Rialto, CA 92377
Phone: 909-822-6000

www.eagleroofing.com

Eagle is proud to be affiliated with these organizations:



Connect with us!

